

# Check Valve



**FLUIDLINE**

**WSC-01P**

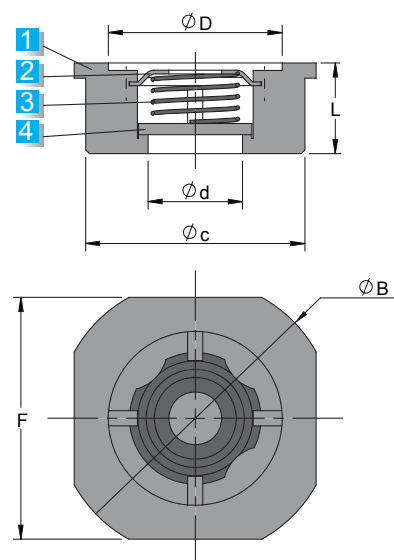
Single Plant Wafer Check Valve PN10-40

**FEATURES:**

- Investment Casting Body
- Flange Standard: PN10/25/40 ANSI #150/#300
- Viton Sealing And Metal Sealing Available
- Material: CF8M/CF8/SS316/SS304/1.4408/1.4301
- Maximum Working Temperature: 400 °C



| NO. | PART NAME | MATERIAL |       |
|-----|-----------|----------|-------|
| 1   | Body      | CF8M     | CF8   |
| 2   | Stop Cap  | SS316    | SS304 |
| 3   | Spring    | SS304    |       |
| 4   | Disc      | CF8M     | CF8   |



| Size     | 1/2" | 3/4" | 1" | 1-1/4" | 1-1/2" | 2"  | 2-1/2" | 3"  | 4"  | 6"  |
|----------|------|------|----|--------|--------|-----|--------|-----|-----|-----|
| L        | 16   | 19   | 22 | 28     | 32     | 40  | 46     | 50  | 60  | 106 |
| $\phi d$ | 15   | 20   | 25 | 32     | 40     | 50  | 62     | 77  | 95  | 138 |
| $\phi c$ | 43   | 53   | 57 | 74     | 82     | 91  | 112    | 126 | 150 | 217 |
| $\phi D$ | 34   | 42   | 46 | 62     | 71     | 80  | 100    | 112 | 135 | 196 |
| F        | 45   | 55   | 65 | 79     | 89     | 100 | 118    | 135 | 155 |     |
| $\phi B$ | 53   | 63   | 73 | 84     | 94     | 106 | 127    | 144 | 164 | 220 |

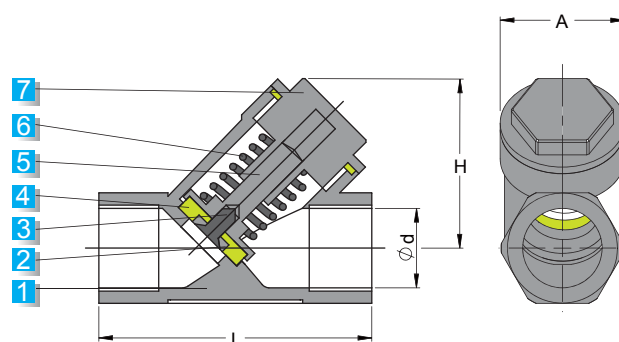
**WSC-S02**

Y-Type Spring Check Valve Class 200

**FEATURES:**

- Investment Casting Body
- Swing Type
- Viton Sealing And Metal Sealing Available
- Material: CF8M/CF8/SS316/SS304/1.4408/1.4301
- Maximum Working Temperature: 400 °C

| NO. | PART NAME | MATERIAL |            |
|-----|-----------|----------|------------|
| 1   | Body      | CF8M     | CF8        |
| 2   | Washer    | SUS304   |            |
| 3   | Screw     | GB-T68   |            |
| 4   | Disc      | PTFE     | Metal Seal |
| 5   | Plate     | SUS316   | SUS304     |
| 6   | Spring    | SUS304   |            |
| 7   | Cap       | CF8M     | CF8        |



| Size     | 1/2" | 3/4" | 1" | 1-1/4" | 1-1/2" | 2"  |
|----------|------|------|----|--------|--------|-----|
| L        | 65   | 75   | 90 | 110    | 120    | 140 |
| $\phi d$ | 15   | 20   | 25 | 32     | 40     | 50  |
| H        | 42   | 49   | 58 | 65     | 74     | 85  |
| A        | 31   | 33   | 36 | 52     | 59     | 70  |

