

# Ball Valve

WB-01T

1-PC Stainless Steel Ball Valve  
Reduce Port, 1000WOG, PN64



FLUIDLINE

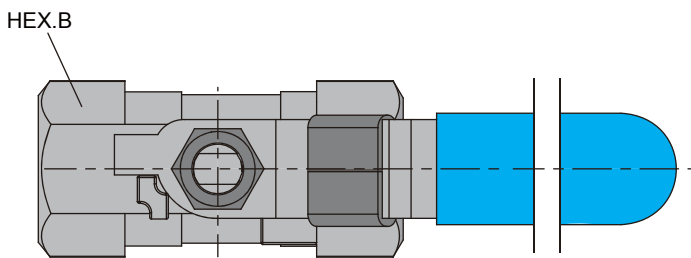
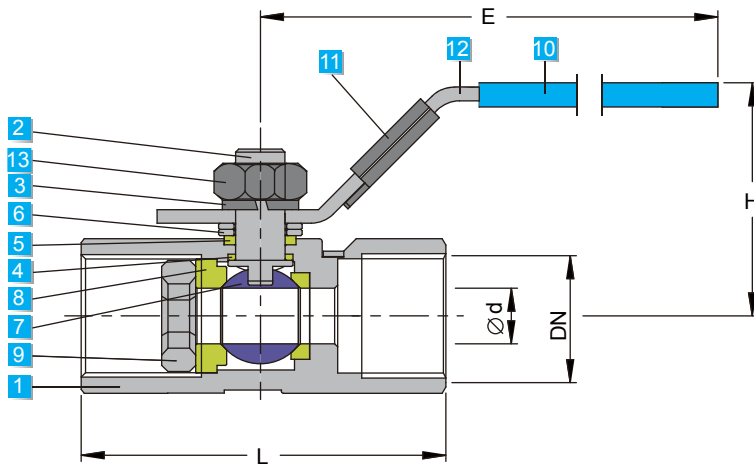
## FEATURES:

- Blow-out Proof Stem
- Investment Casting Body
- Reduce Port
- Various Thread Standard Available
- Locking Device Available, **New Design**

## STANDARD:

- Design: ASME B16.34
- Wall Thickness: 100% ASME B16.34, GB12224
- Pipe Thread: ANSI B 1.20.1, BS 21/2779, DIN 259/2999, ISO 228
- Inspection & Testing: API 598

NO.	PARTS NAME	MATERIAL		
1	Body	CF8M	CF8	WCB
2	Stem	SS316	SS304	
3	Spring Washer	PTFE		
4	Thrust Washer	PTFE		
5	Packing Gland	PTFE		
6	Washer	SS304		
7	Ball	CF8M	CF8	
8	Ball Seat	R-PTFE		
9	End Plug	CF8M	CF8	WCB
10	Handle Cover	Plastic		
11	locking Device	SS301		
12	Handle	Plastic		
13	Nut	SS301		



Unit:mm

Size	$\phi d$	L	H	E	HEX.B	End Thread
1/4"	5	39	31	70	17	BSP BSPT NPT DIN PT ect...
3/8"	7	44	36	80	21	
1/2"	9	59	42	95	25	
3/4"	12.5	60	45	95	32	
1"	15	72	54	110	38	
1-1/4"	20	77	59	110	48	
1-1/2"	25	84	63.5	150	53	
2"	32	100	70	150	66	
2-1/2"	38	120	95	200	82	
3"	48	142	103	200	96	