

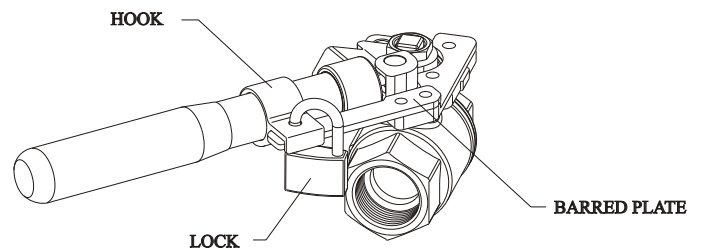
FOR ZIPSON'S 2-WAY BALL VALVES  
SIZE: 1/4"-2"

#### SPECIFICATION

- \* SS spring handle
- \* heavy duty design
- \* for ISO 5211 direct mounting pad

#### OPTION

- \* locking devices



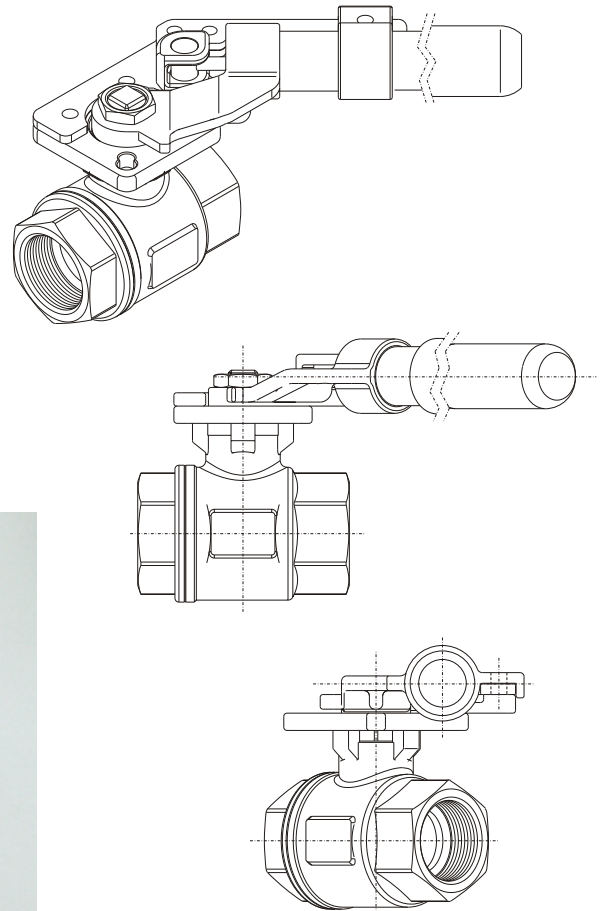
ZIPSON'S SH01, spring return handle (also called dead man handle) was well designed as heavy duty type for very long term operation. The most characteristic of SH01 is with locking device for option.

The SH01 is designed to mount upon the ISO 5211 direct mounting pad. This will be very convenient for user to replace the handle from normal type to SH01, and repair the handles after long term operation without throwing the whole valve set. And it's very economic to stock the spring handles only.

SH01 is suitable for ZIPSON'S valves, especially for the following 2-way ball valves,  
201FD, 2-piece ball valve  
302F, 3-piece ball valve  
305D, 3-piece ball valve, 2000 WOG  
302SD, 3-piece sanitary ball valve  
207S, 2-piece flanged ball valve  
110F/ 110T, top-entry ball valve

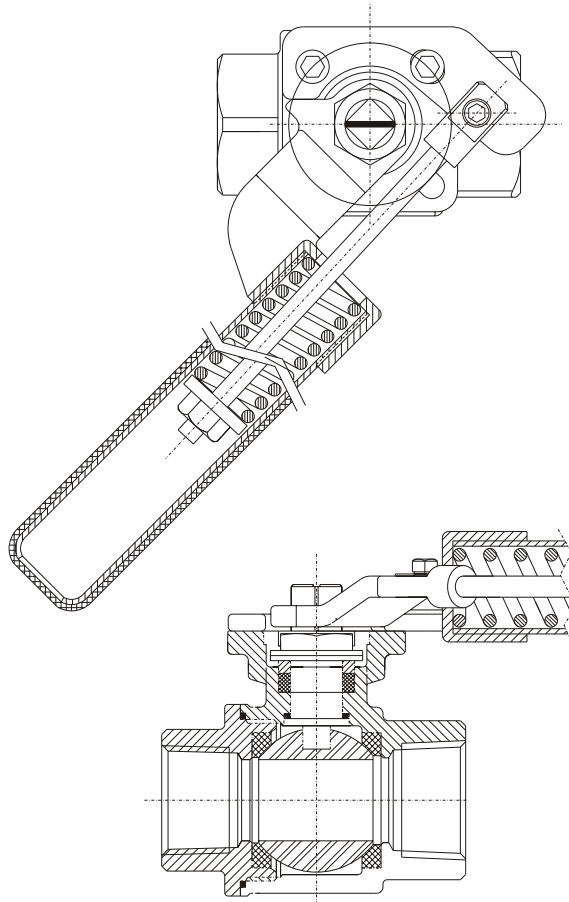
That's allow users wisely to stock valve & spring handle separately.

SH01 spring return handle with locking devices.

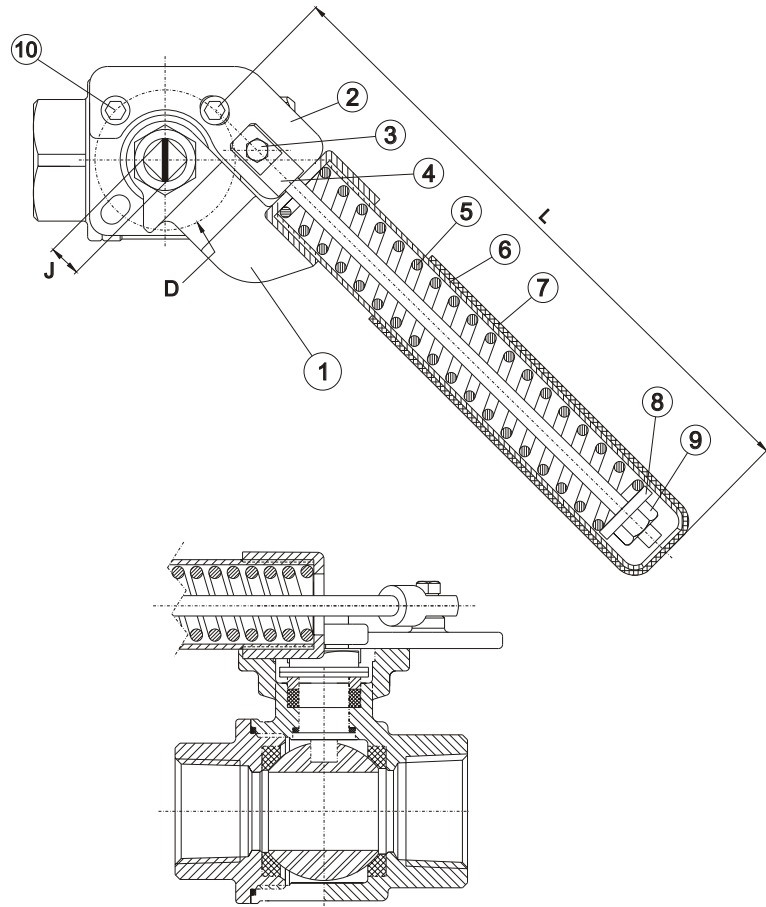


SH01- Dead Man Handle      302F with SH01 spring return handle

## OPEN CONDITION



## CLOSE CONDITION



## MATERIALS LIST

ITEM	PART NAME	MATERIALS
1	HANDLE HEAD	CF8
2	ANCHOR	CF8M
3	ANCHOR SCREW	SS 316
4	SPRING ROD	SS 316
5	SPRING	SS 301
6	HANDLE EXTENSION	SS 304
7	SLEEVE	PVC
8	WASHER	SS 304
9	HEX NUT	SS 304
10	SOCKET HEAD SCREW	SS 304

## DIMENSIONS (mm)

SIZE	L	J	D (ISO5211)	TORQUE
1/4"~3/4"	170	9	F03/F04	15 Nm
1" & 1-1/4"	220	11	F04	22 Nm
1-1/2" & 2"	280	14	F05	35 Nm