

ALL STAINLESS STEEL



SPECIAL FEATURES

SIPHONS ARE USED MAINLY TO PROTECT PRESSURE INSTRUMENTS, GAUGES, SWITCHES AND TRANSMITTERS DIRECTLY COMING IN CONTACT WITH HIGH TEMPERATURE PROCESS FLUIDS OR VAPOURS. FILLED WITH CONDENSATION FLUIDS, THESE ARE MOUNTED BETWEEN PROCESS AND PRESSURE INSTRUMENT. THEY REDUCE PROCESS PULSATION, ACT AS HEAT DISPENSER AND GENERATE COOLING EFFECT TO SAVE INSTRUMENT FROM WORKING AT DANGEROUS TEMPERATURE.



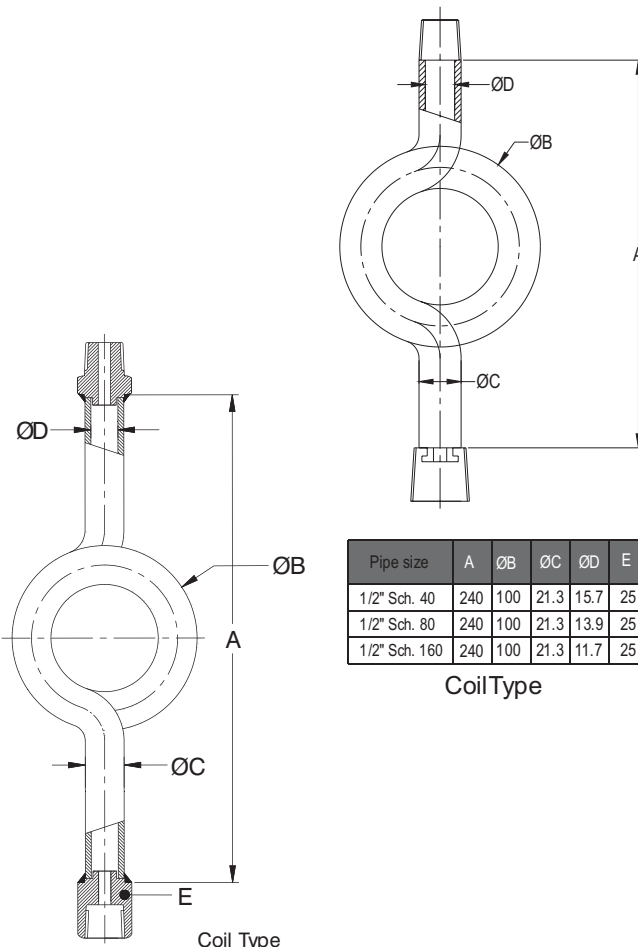
SPECIFICATIONS

MATERIAL
AISI 316 Stainless Steel

PIPE SIZE
Schedule 40 *

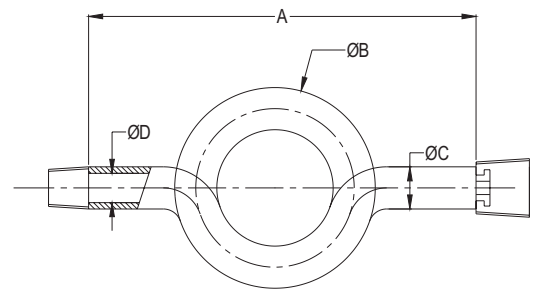
OPERATING PRESSURE
Carbon steel : 150 kg/cm ² at 430 °C max.
Stainless steel : 135 kg/cm ² at 450 °C max.

* Pipe size will govern from the instrument/process connection size.



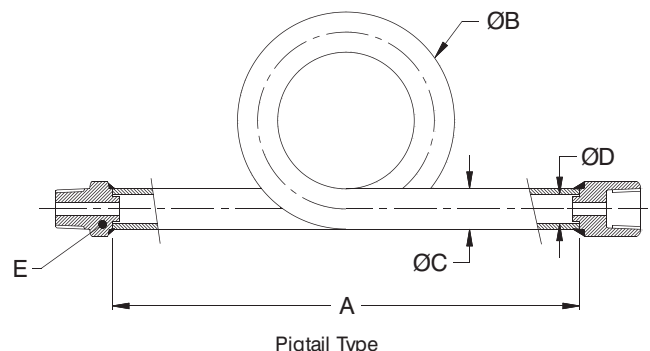
Pipe size	A	ØB	ØC	ØD	E
1/2" Sch. 40	240	100	21.3	15.7	25
1/2" Sch. 80	240	100	21.3	13.9	25
1/2" Sch. 160	240	100	21.3	11.7	25

Coil Type



Pipe size	A	ØB	ØC	ØD	E
1/2" Sch. 40	240	110	21.3	15.7	25
1/2" Sch. 80	240	110	21.3	13.9	25
1/2" Sch. 160	240	110	21.3	11.7	25

Pigtail Type

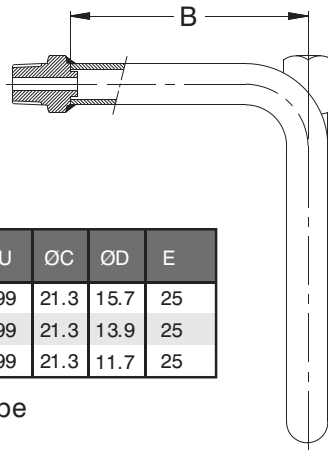


Pigtail Type

Pipe size	A	ØB	ØC	ØD	E
1/2" Sch. 40	240	100	21.3	15.7	25
1/2" Sch. 80	240	100	21.3	13.9	25
1/2" Sch. 160	240	100	21.3	11.7	25

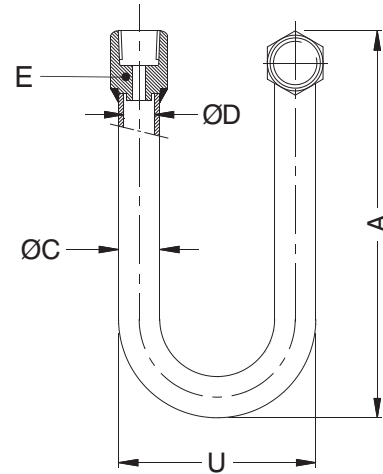
Pipe size	A	ØB	ØC	ØD	E
1/2" Sch. 40	240	110	21.3	15.7	25
1/2" Sch. 80	240	110	21.3	13.9	25
1/2" Sch. 160	240	110	21.3	11.7	25

“U” Type



Pipe size	A	B	U	ØC	ØD	E
1/2" Sch. 40	180	155	99	21.3	15.7	25
1/2" Sch. 80	180	155	99	21.3	13.9	25
1/2" Sch. 160	180	155	99	21.3	11.7	25

“U” Type



HOW TO ORDER

BASIC MODEL

FOR NON STANDARD PRODUCTS/OPTIONAL ITEMS, PLEASE CONTACT FACTORY FOR DELIVERY AND MINIMUM QUANTITY OF ORDER.

TYPE

- MR COIL TYPE
- MS PIGTAIL TYPE
- MT 'U' TYPE

MATERIAL OF CONSTRUCTION

- TN CARBON STEEL
- TK AISI 304 SS
- TM AISI 316 SS
- TL AISI 316L SS
- IY MILD STEEL WITH CHROME PLATING

CONNECTION

- | | | |
|--|---------------------------------|---------------------------------|
| 2BM.2BF 1/4" BSP (M x F) | 2BM.2BM 1/4" BSP (M x M) | 2BF.2BF 1/4" BSP (F x F) |
| 2NM.2NF 1/4" NPT (M x F) | 2NM.2NM 1/4" NPT (M x M) | 2NF.2NF 1/4" NPT (F x F) |
| 3BM.3BF 3/8" BSP (M x F) | 3BM.3BM 3/8" BSP (M x M) | 3BF.3BF 3/8" BSP (F x F) |
| 3NM.3NF 3/8" NPT (M x F) | 3NM.3NM 3/8" NPT (M x M) | 3NF.3NF 3/8" NPT (F x F) |
| 4BM.4BF 1/2" BSP (M x F) | 4BM.4BM 1/2" BSP (M x M) | 4BF.4BF 1/2" BSP (F x F) |
| 4NM.4NF 1/2" NPT (M x F) | 4NM.4NM 1/2" NPT (M x M) | 4NF.4NF 1/2" NPT (F x F) |
| 4NM.PE 1/2" NPT (M) x PLAIN END | | |

OPTIONS

- S80** 1/2" SCHEDULE 80 PIPE
- S160** 1/2" SCHEDULE 160 PIPE
- PV** WITH IBR APPROVAL
- MU** SWIVEL FEMALE CONNECTION
- MV** ADAPTOR FOR MALE THREADING

Ordering Example:

EH - MT - TM - 4NM.4NF - PV

Note : ● Due to continuous improvement, the specification may vary from time to time.