

Pressure Reducing Valve



VPR series

Features

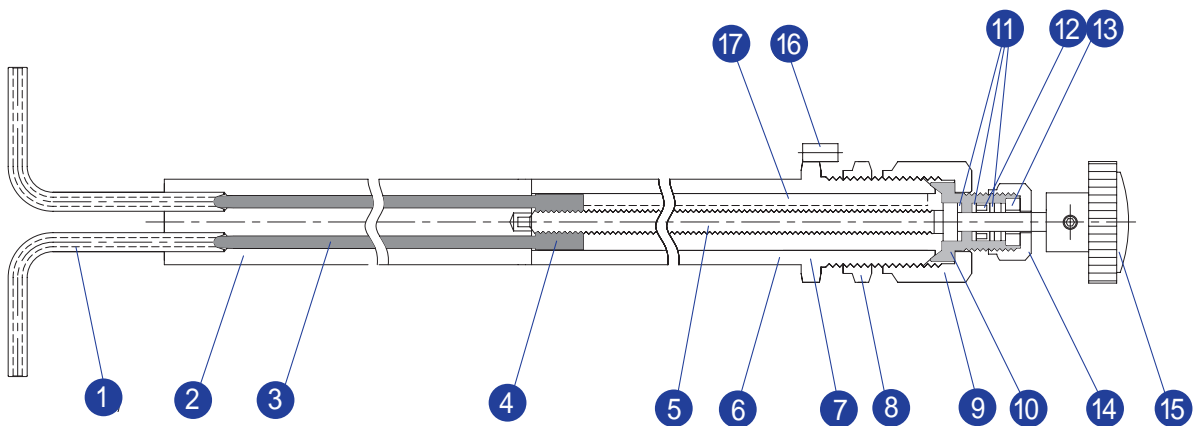
- No Plugging
- Easy Cleaning & Maintaining
- Simple adjusting under various pressure conditions
- No corrosion

Specification

- Max Operating Temperature : 50°C(122°F)~149°C(300°F)
- Max Operating Pressure : 5000psi at 149°C(300°F)
- Sample Flow Range : 150ml/min~4000ml/min
- Pressure Reducing Range : 5~5000 psi
- Installation : Panel Mounting
- Connection : Tube, Socket Weld, 37° Flare & Elbow



Materials of Construction

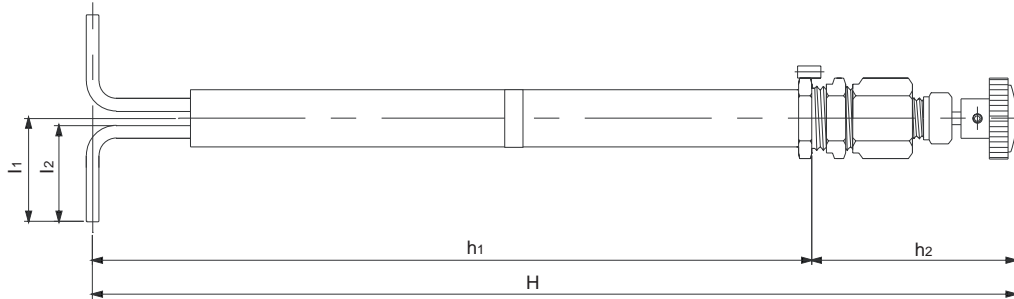


No.	Description	Materials	No.	Description	Materials	No.	Description	Materials
1	Tube	316SS	7	Bushing Body	304SS	13	Spindle Gland	Brass
2	Seat Body	304SS	8	Panel Nut	304SS	14	Spindle Nut	316SS
3	Long Stem	316SS	9	Body Nut	316SS	15	Handle	Xenoy
4	Stem Holder	316SS	10	Spindle Bushing	316SS	16	Loader	304SS
5	Spindle	316SS	11	Gasket Ring	Brass/PTFE	17	Holder Loader	304SS
6	Middle Body	304SS	12	Packing Seal	PTFE			

Application

In modern power generation plants & general industrial boilers, chemical analysis of water and steam samples requires precise control of flow and pressure. High pressure reduction occurs unique sampling problems.

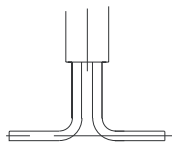
Uni-Lok SPRV series is a valve specially designed to solve these kinds of problems.



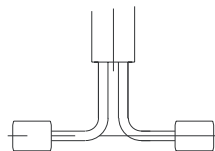
Ordering Information & Dimensions

Part Number	End Connection	Dimensions (mm)				
		H	h1	h2	l1	l2
VPR	04T- 1/4" Uni-Lok	461.0	359.0	102.0	51.6	48.0
	04P- 1/4" Tube SW					
	04F- 1/4" 37°Flare					
	04E- 1/4" Union Elbow					

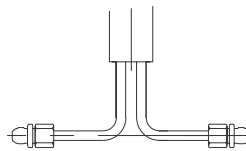
End Connection Type



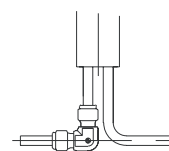
Tube



Tube
Socket Weld



37°Flare



Union Elbow
to Tube

Important Notification

Proper installation, materials compatibility, operation and maintenance of these valves are the responsibility of the user. The total system design must be taken into consideration to ensure optimal performance and safety.

Uni-Lok® Uni-Lok corporation



CONNECTS THE WORLD SINCE 1984 www.unilok.com

본사 및 제1공장

인천광역시 남동구 고잔동 725-13번지
남동공단 152블럭 12롯데 ☎ 405-822
전화 : 032-822-6600
팩스 : 032-822-6604

제2공장

인천광역시 남동구 고잔동 684-7번지
남동공단 114블럭 8롯데 ☎ 405-818
전화 : 032-433-6601
팩스 : 032-441-7600

Headquarters & 1st Factory

152 Block-12 Lot, Namdong Indus-Park, 725-13,
Gojan-Dong, Namdong-Gu, Incheon, Korea
Tel : +82-32-821-6673
Fax : +82-32-822-6604

2nd Factory

114 Block-8 Lot, Namdong Indus-Park, 684-7,
Gojan-Dong, Namdong-Gu, Incheon, Korea
Tel : +82-32-433-6601
Fax : +82-32-441-7600