

SPECIAL FEATURES

- STAINLESS STEEL CASE
- RUGGED CONSTRUCTION
- DRY OR LIQUID FILLED
- STANDARD FOLLOWED IN GENERAL EN 837-1



APPLICATIONS

OIL, WATER, PNEUMATICS, HYDRAULICS, PUMP, COMPRESSORS, DIESEL ENGINES

SPECIFICATIONS

STANDARD VERSION : 63mm,

Accuracy	: ±1.6% of F.S.
Ambient temperature	: Max + 65°C
Process temperature	: Max 120°C
Operating pressure	: 75 % of the Scale Value
Over pressure limit	: 30 % for Pressure Ranges upto 400 kg / cm ²

Case & Ring	: AISI 304 SS, Rolling Type
Bourdon	: Copper Alloy upto 70 kg/cm ²
	: AISI 316 for above 70kg/cm ² to 400 kg/cm ²
Socket	: Copper Alloy
Movement	: Copper Alloy
Joints	: Tin - Copper Brazing upto 70kg/cm ² (above 70kg/cm ² to 400 kg/cm ² - Silver Alloy)

Protection	: IP 65
Dial	: Aluminium, black graduation on white background
Pointer	: Plastic, black Coloured Fixed
Window	: Plexi Glass
Filling Plug	: Neoprene
Gasket	: Neoprene

GLYCERINE FILLED VERSION (OPTION PY)

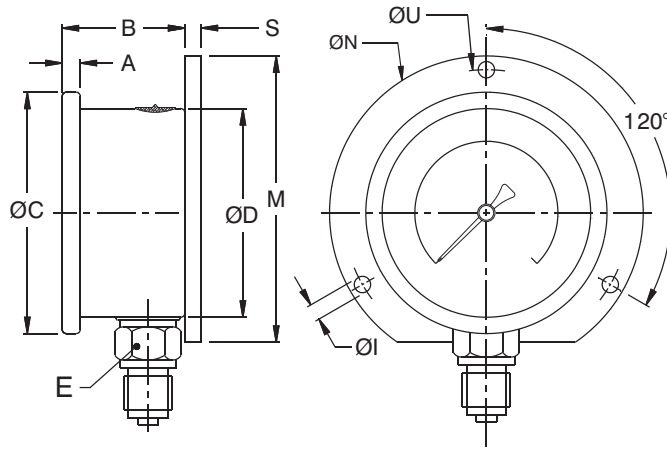
Accuracy	: ±1.6% of F.S.
Ambient Temperature	: Maximum 65°C
Process Temperature	: Maximum 65°C
Window	: Plexi Glass
Dampening Liquids	: Glycerine 98% (others available as option)
Other Features	: Refer Specification of Standard Version

DRY BUT FILLABLE VERSION

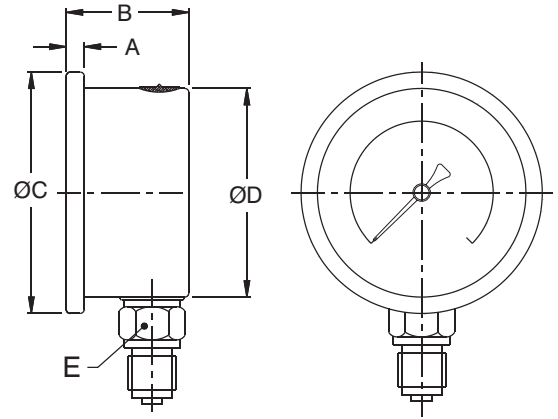
Option Code	: Fillable Dampening Liquid
FG	: Fillable Glycerine 98%

DIMENSIONS - STANDARD VERSION

TYPE 1



TYPE 2



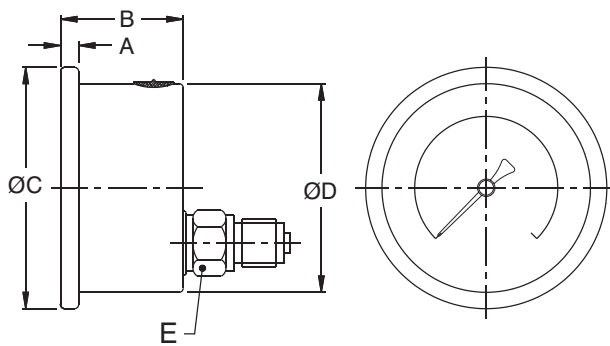
ROLLING TYPE (STANDARD)

NS	A	B	ØC	ØD	E	S	ØN	ØI	ØU	M	Weight in gram (With Box)
63	6.5	30	68	62.5	A/F 14	5	88	5	76	80	195.0

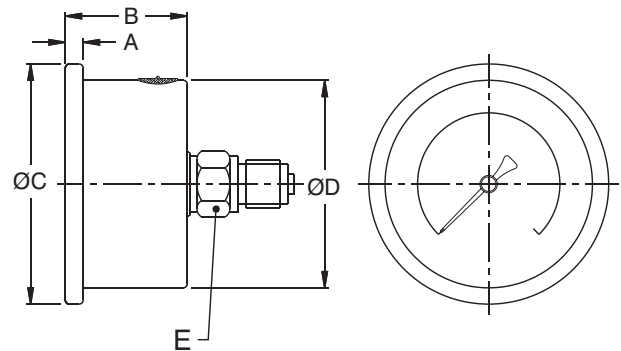
ROLLING TYPE (STANDARD)

NS	A	B	ØC	ØD	E	Weight in gram (With Box)
63	6.5	30	68	62.5	A/F 14	155.0

TYPE 3



TYPE - 4



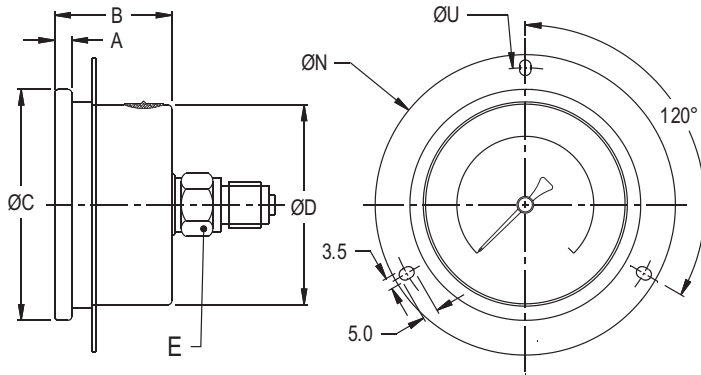
ROLLING TYPE (STANDARD)

NS	A	B	ØC	ØD	E	Weight in gram (With Box)
63	6.5	30	68	62.5	A/F 14	155

ROLLING TYPE (STANDARD)

NS	A	B	ØC	ØD	E	Weight in gram (With Box)
63	6.5	30	68	62.5	A/F 14	155.0

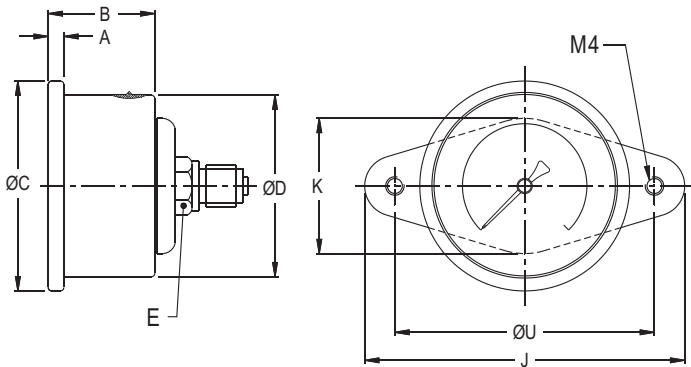
TYPE - 5



ROLLING TYPE (STANDARD)

NS	A	B	ØC	ØD	E	ØN	ØU	Weight in gram (With Box)
63	6.5	30	68	62.5	A/F 14	85.5	76	216.0

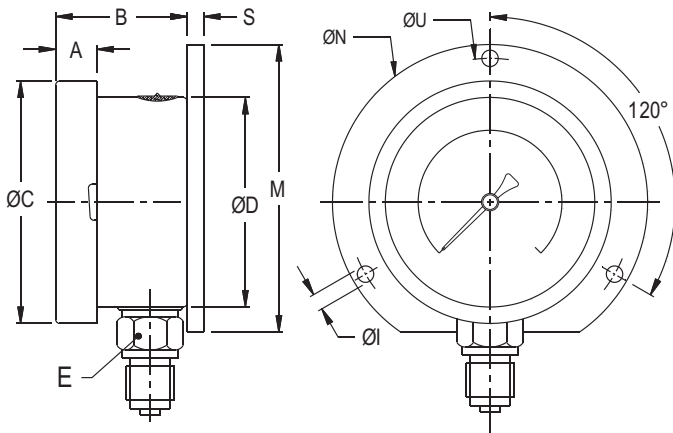
TYPE - 9



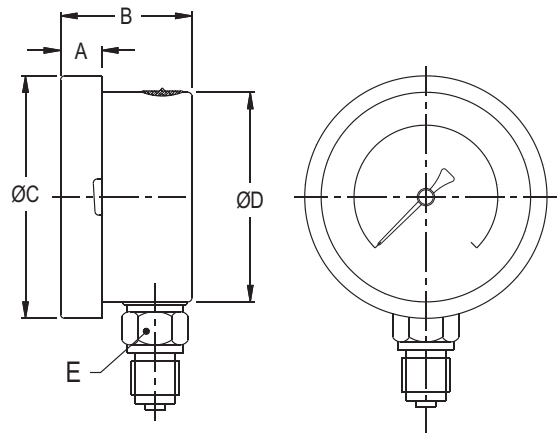
ROLLING TYPE (STANDARD)

NS	A	B	ØC	ØD	E	J	K	ØU	Weight in gram (With Box)
63	6.5	30	68	62.5	A/F 14	91	38	76	216.0

TYPE 1



TYPE 2



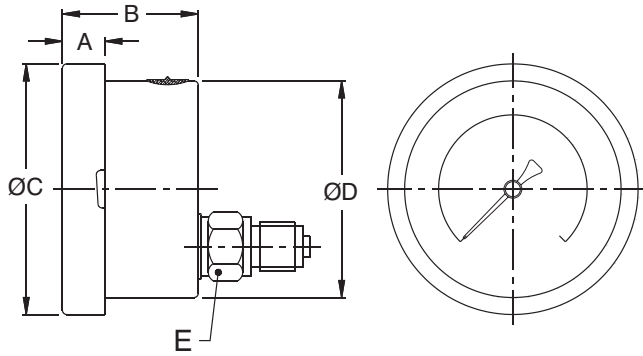
BAYONET TYPE (OPTION)

NS	A	B	ØC	ØD	E	S	ØN	ØI	ØU	M	Weight in gram (With Box)
63	9	31	69.5	62.5	A/F 14	5	88	5	76	80	207.0

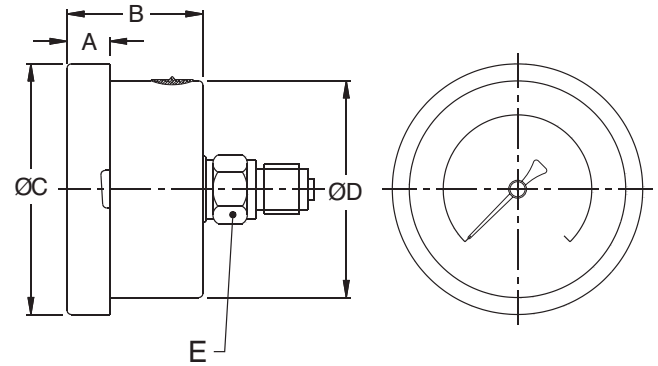
BAYONET TYPE (OPTION)

NS	A	B	ØC	ØD	E	Weight in gram (With Box)
63	9	31	69.5	62.5	A/F 14	165.0

TYPE 3



TYPE 4



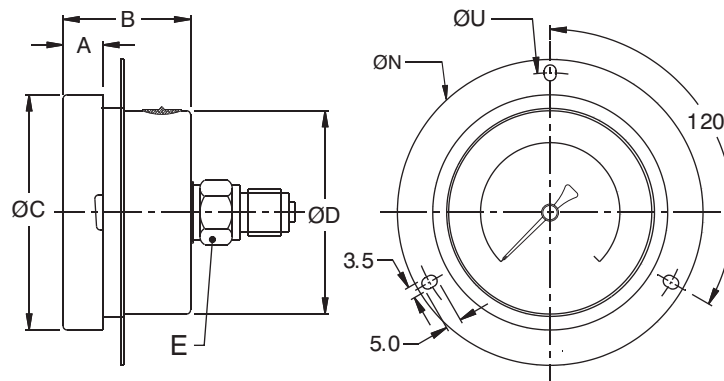
BAYONET TYPE (OPTION)

NS	A	B	$\varnothing C$	$\varnothing D$	E	Weight in gram (With Box)
63	9	31	69.5	62.5	A/F 14	172.0

BAYONET TYPE (OPTION)

NS	A	B	$\varnothing C$	$\varnothing D$	E	Weight in gram (With Box)
63	9	31	69.5	62.5	A/F 14	172.0

TYPE 5



BAYONET TYPE (STANDARD)

NS	A	B	$\varnothing C$	$\varnothing D$	E	$\varnothing N$	$\varnothing U$	Weight in gram (With Box)
63	9	31	69.5	62.5	A/F 14	85.5	76	211.0

Notes : • Drawings are not to scale. • All Dimensions are in mm. • NS = Nominal Size

RANGE TABLE

Note : Waaree offers Pressure ranges, Vacuum ranges and Compound ranges in Scales like kPa, MPa, bar, psi, kg/cm² & Dual Scale like kPa with psi, kPa with bar, bar with psi or scales as per the requirement can be provided on request.

Following are the example tables for kg/cm² & psi scales

PRESSURE RANGE

RANGE (PSI with kg/cm ²)		RANGE PSI	RANGE kg/cm ²
-30 inHg / 0	-760 mmHg / 0	0/3000 psi	0/210 kg/cm ²
0/15 psi	0/1 kg/cm ²	0/4000 psi	0/280 kg/cm ²
0/30psi	0/2 kg/cm ²	0/5000 psi	0/350 kg/cm ²
0/60 psi	0/4 kg/cm ²	0/6000 psi	0/400 kg/cm ²
0/100 psi	0/7 kg/cm ²	- 30inHg/15	- 1/1 kg/cm ²
0/150 psi	0/10 kg/cm ²	- 30inHg /30	- 1/2 kg/cm ²
0/200 psi	0/14 kg/cm ²	- 30inHg /60	- 1/3 kg/cm ²
0/300 psi	0/21 kg/cm ²	- 30inHg /100	- 1/6 kg/cm ²
0/400 psi	0/28 kg/cm ²	- 30inHg /150	- 1/9 kg/cm ²
0/500 psi	0/35 kg/cm ²	- 30inHg /200	- 1/15 kg/cm ²
0/600 psi	0/40 kg/cm ²	- 30inHg /300	- 1/20 kg/cm ²
0/1000 psi	0/70 kg/cm ²	- 30inHg /350	- 1/24 kg/cm ²
0/1500 psi	0/100 kg/cm ²		
0/2000 psi	0/140 kg/cm ²		

ACCESSORIES †

EC	GAUGE COCK	EG	SNUBBER
ED	GAUGE SAVER	EH	SIPHON
*	NEEDLE VALVE		

† Refer Datasheet for complete specifications * Refer catalogue for valves and manifolds

HOW TO ORDER

BASIC MODEL

CODE

D

NOMINAL SIZE (mm)

63

TYPE OF MOUNTING

- 1 SURFACE / WALL / PROJECTION MOUNTING WITH BOTTOM ENTRY
- 2 DIRECT BOTTOM ENTRY
- 3 DIRECT LOWER BACK ENTRY
- 4 DIRECT CENTRE BACK ENTRY
- 5 FLUSH PANEL BACK ENTRY WITH FRONT FLANGE
- 9 BACK ENTRY WITH MOUNTING BRACKET (ROLLING TYPE DESIGN ONLY)

GAUGE CONNECTION

1BM	1/8" BSP(M)	1TM	1/8" BSPT(M)
1NM	1/8" NPT(M)	2TM	1/4" BSPT(M)
2BM	1/4" BSP(M) STANDARD		
2NM	1/4" NPT(M) STANDARD		

Note : Connections like PT/PF/Flaired /UNF/G/R etc.can be provided on request.
Non standard connections can be provided through adaptors.

RANGE

REFER TABLES

OPTIONS

FOR NON STANDARD PRODUCTS/OPTIONAL ITEMS, PLEASE CONTACT FACTORY FOR DELIVERY AND MINIMUM QUANTITY OF ORDER.

RH	CUSTOM DESIGNED DIAL	SX	SS TAG PLATE
SG	OXYGEN SERVICE (WITHOUT DAMPENING LIQUIDS)	TB	HELIUM LEAK TEST
PS	AISI 316 SS CASE & BEZEL	FG	FILLABLE LIQUID GLYCERINE
PW	FIVE POINT CALIBRATION CERTIFICATE	QB	INTEGRAL DAMPENING SCREW (BRASS)
PY	DAMPENING LIQUID GLYCERINE FILLED	SJ	MAXIMUM READING POINTER
RI	25 MM BOD (EXCEPT MOUNTING 4, 5 & 9)		
OS	CASE WITH BAYONET TYPE BEZEL		
SY	TRIANGLE TYPE SURFACE MOUNTING PLATE		
RX	SHATTERPROOF/SAFETY GLASS (FOR BAYONET TYPE DESIGN)		
RZ	TOUGHENED GLASS FOR BAYONET TYPE DESIGN		

Ordering Example:

AT - D - 2 - 2NM - 0/10kg/cm² - PY

Note : • Due to continuous improvement, the specification may vary from time to time.