

# SS CASE BRASS PRESSURE GAUGE

**BOURDON TYPE (100mm &150mm)**



## SPECIAL FEATURES

- COST EFFECTIVE
- DRY OR LIQUID FILLED
- STANDARD FOLLOWED IN GENERAL EN 837-1

## APPLICATIONS

PNEUMATICS, HYDRAULICS, PUMPS, COMPRESSORS, DIESEL ENGINES.



## SPECIFICATIONS

### STANDARD VERSION : 100mm,150mm

Accuracy	: $\pm 1.6\%$ of F. S.
Ambient temperature	: - 20°C to + 65°C
Process temperature	: Max. 125°C
Operating pressure	: 75% of the Scale Value

Case & Ring	: AISI 304 SS, Bayonet Type
Bourdon	: Copper Alloy upto 70kg/cm <sup>2</sup>
	: AISI 316 SS for 100 to 1000 kg/cm <sup>2</sup>
Socket	: Copper Alloy
Movement	: Copper Alloy
Joints	: Tin - Copper Brazing upto 70 kg/cm <sup>2</sup> (above 70 kg/cm <sup>2</sup> to 1000 kg/cm <sup>2</sup> - Silver Alloy)

Protection	: IP 65
Dial	: Aluminium, black graduation on white background
Pointer	: Aluminium, black coloured Fixed
Window	: Plexi Glass
Filling Plug	: Neoprene
Gasket	: Neoprene
Blow off Disc	: Neoprene

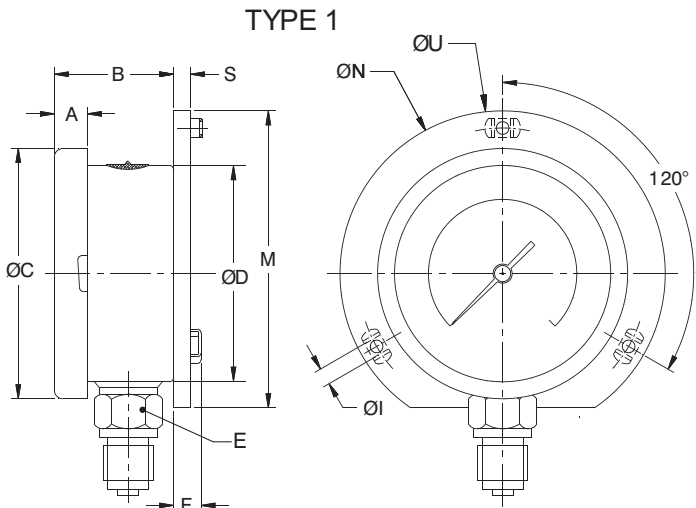
### GLYCERINE FILLED VERSION (OPTION PY)

Accuracy	: $\pm 1.6\%$ of F.S.
Ambient Temperature	: Maximum 65°C
Process Temperature	: Maximum 65°C
Window	: Plexi Glass
Dampening Liquids	: Glycerine 98% (others available as option)
Other Features	: Refer Specification of Standard Version

### DRY BUT FILLABLE VERSION

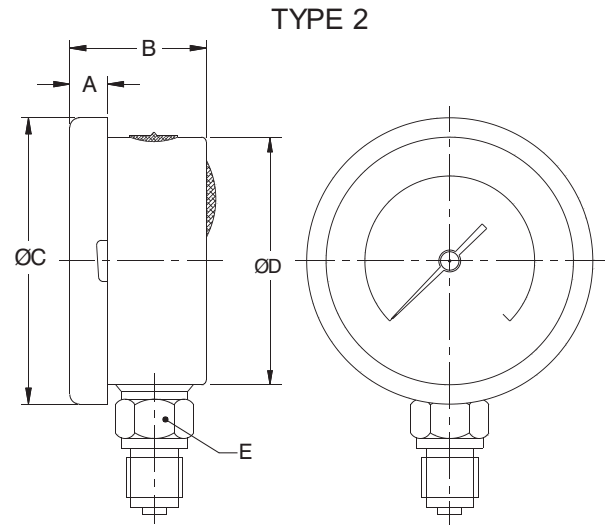
<b>Option Code</b>	<b>Fillable Dampening Liquid</b>
FG	: Fillable Glycerine 98%

**DIMENSIONS - STANDARD VERSION**



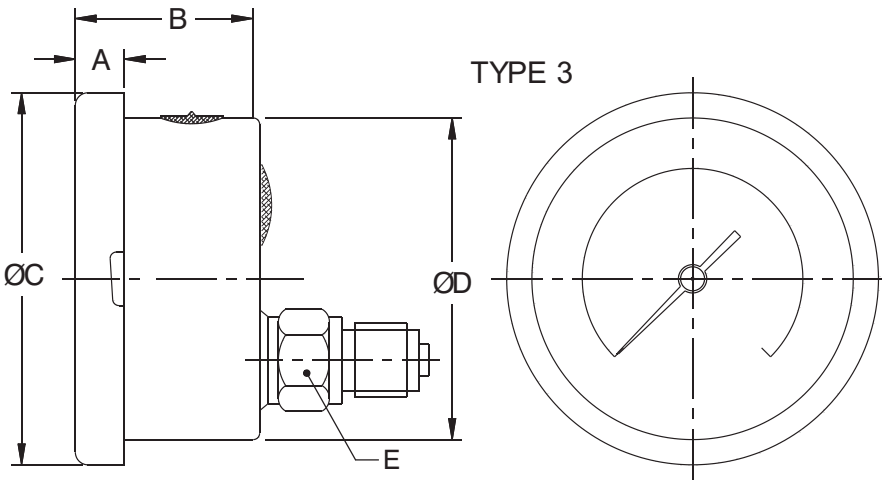
**BAYONET TYPE**

NS	A	B	ØC	ØD	E	M	S	F	ØI	ØN	ØU	Weight in gram (With Box)
100	12.5	48	110	100	22	128	6	14.5	6	134	118	700.0
150	15	49	161	149	22	177	5.5	15	6	186	168	1140.0



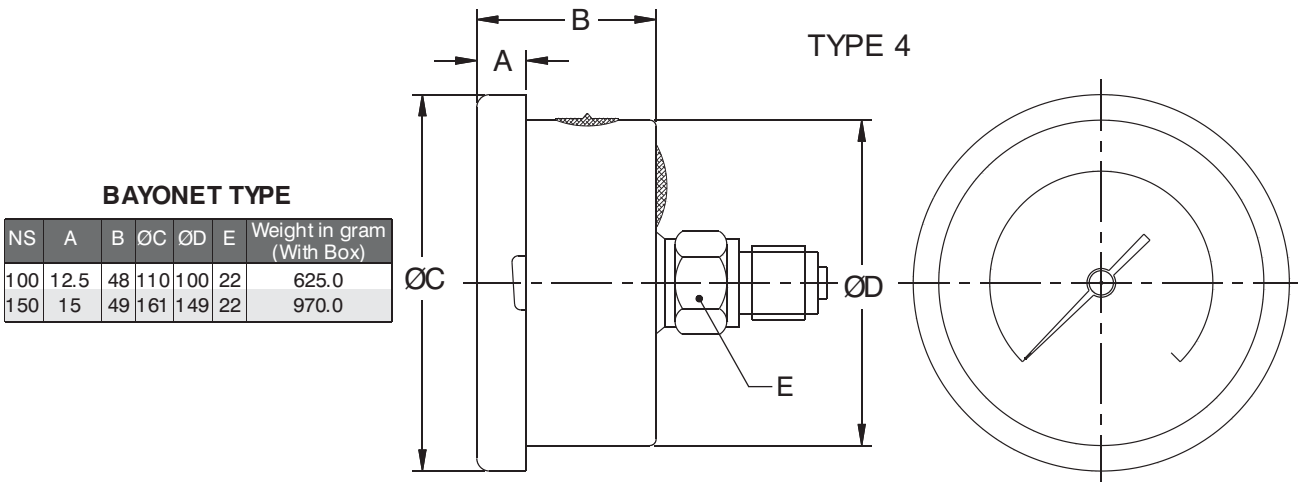
**BAYONET TYPE**

NS	A	B	ØC	ØD	E	Weight in gram (With Box)
100	12.5	48	110	100	22	620.0
150	15	49	161	149	22	980.0



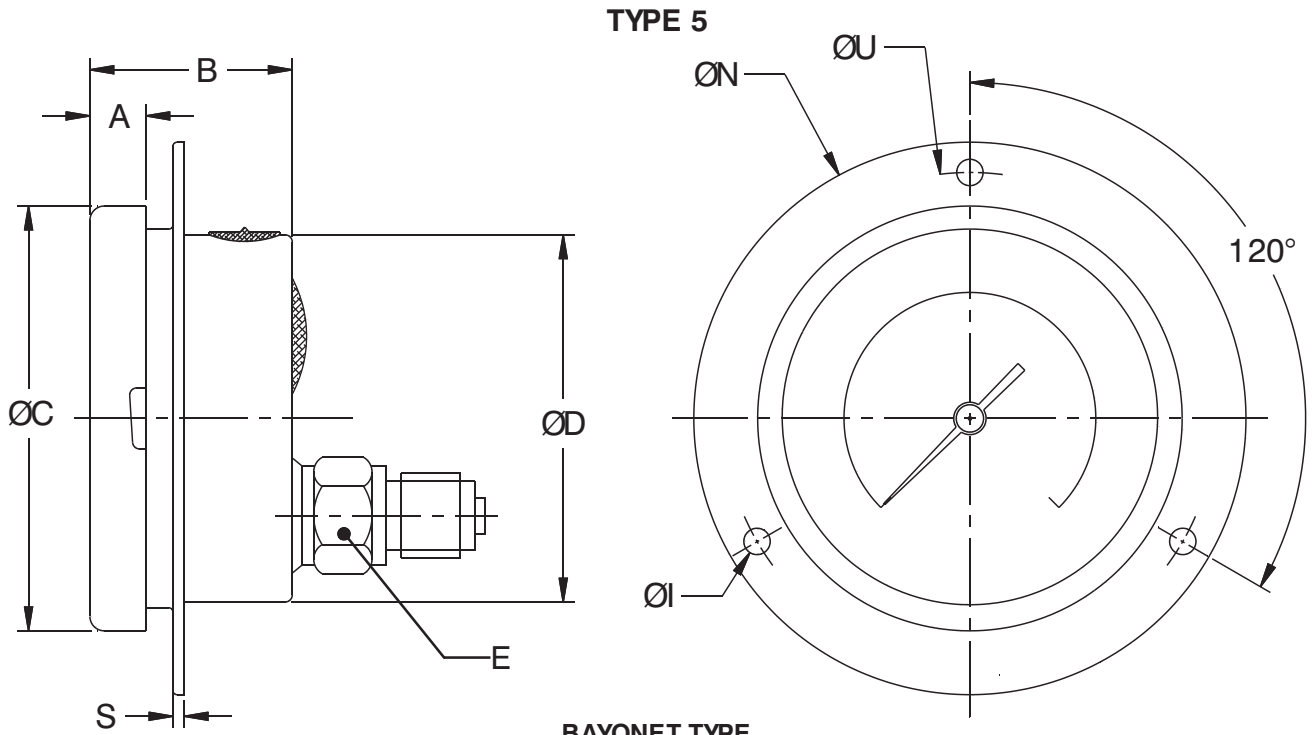
**BAYONET TYPE**

NS	A	B	ØC	ØD	E	Weight in gram (With Box)
100	12.5	48	110	100	22	620.0
150	15	49	161	149	22	965.0



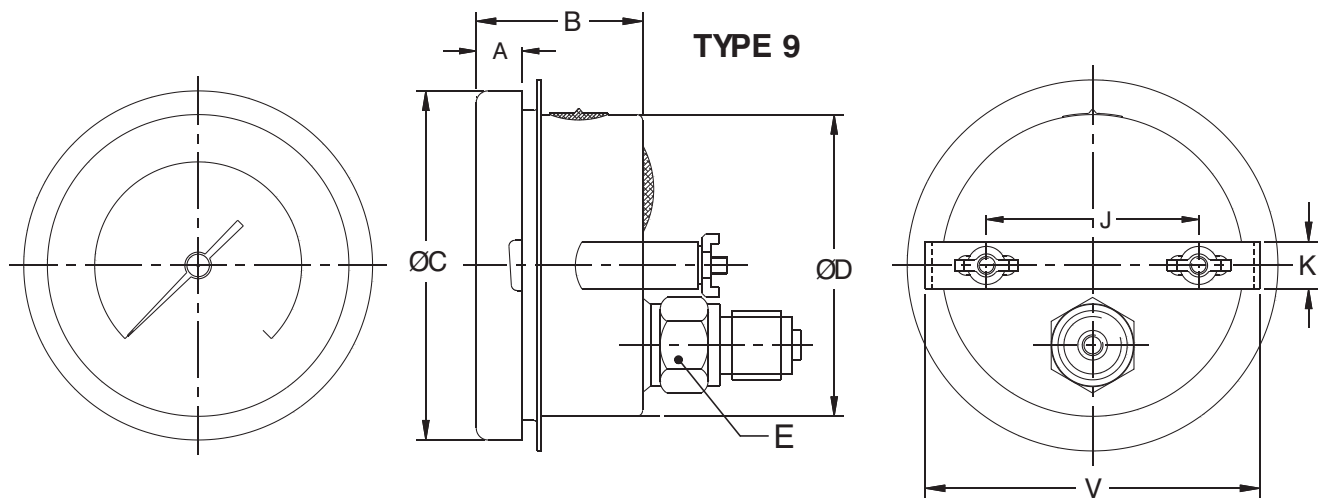
**BAYONET TYPE**

NS	A	B	ØC	ØD	E	Weight in gram (With Box)
100	12.5	48	110	100	22	625.0
150	15	49	161	149	22	970.0



**BAYONET TYPE**

NS	A	B	ØC	ØD	E	S	ØI	ØN	ØU	Weight in gram (With Box)
100	12.5	48	110	100	22	1	6	134	118	710.0
150	15	49	161	149	22	5	6	186	168	1160.0



**BAYONET TYPE**

NS	A	B	ØC	ØD	E	J	K	V	Weight in gram (With Box)
100	12.5	48	110	100	22	66.5	16	106	750.0
150	15	49	161	149	22	103.5	16	158	1220.0

## RANGE TABLE

**Note :** Waaree offers National / International Scales like kPa, Mpa, bar, psi, kg/cm<sup>2</sup>, mbar, mmWC, inWC & Dual Scale like kPa with psi, kPa with bar, bar with psi or Equivalent scales as per the requirement can be provided on request.

Following are the example tables for kg/cm<sup>2</sup> & psi scales

### PRESSURE RANGE

SINGLE SCALE					
RANGE (kg/cm <sup>2</sup> )	RANGE	RANGE	RANGE	RANGE	RANGE
0/1	0/4	0/16	0/60	0/250	0/1000
0/1.6	0/6	0/25	0/100	0/400	
0/2.5	0/10	0/40	0/160	0/600	
DUAL SCALE PSI with kg/cm <sup>2</sup>					
RANGE (IN PSI)	RANGE (kg/cm <sup>2</sup> )	RANGE (IN PSI)	RANGE (kg/cm <sup>2</sup> )	RANGE (IN PSI)	RANGE (kg/cm <sup>2</sup> )
0/15	1	0/300	20	0/3000	210
0/30	2	0/400	28	0/4000	280
0/60	4	0/500	35	0/5000	350
0/100	7	0/600	40	0/6000	400
0/150	10	0/1000	70	0/10000	700
0/200	14	0/1500	100	0/15000	1000
		0/2000	140		

### VACUUM & COMPOUND RANGE

DUAL SCALE					
Range inHg with PSI	Range mmHg with kg/cm <sup>2</sup>	Range inHg with PSI	Range mmHg with kg/cm <sup>2</sup>	Range inHg with PSI	Range mmHg with kg/cm <sup>2</sup>
- 30/0	- 760 / 0	- 30/60	- 760 / 3	- 30/200	- 760 / 15
- 30/15	- 760 / 1	- 30/100	- 760 / 6	- 30/300	- 760 / 20
- 30/30	- 760 / 2	- 30/150	- 760 / 9	- 30/350	760 / 24
SINGLE SCALE kg/cm <sup>2</sup>					
RANGE	RANGE	RANGE	RANGE	RANGE	RANGE
- 1/0	- 1/1.5	- 1/5	- 1/15	- 1/15	- 1/24
- 1/0.6	- 1/3	- 1/9			

### FREON (WITH TEMPERATURE SCALE)

DUAL SCALE ( Inch Hg to PSI )	
RANGE	RANGE
-30/150	0-300
-30/300	0-500

### ACCESSORIES†

<b>EB</b> COOLING TOWER	<b>*</b> NEEDLE VALVE	<b>DX</b> DIAPHRAGM SEALS
<b>EC</b> GAUGE COCK	<b>EG</b> SNUBBER	
<b>ED</b> GAUGE SAVER	<b>EH</b> SIPHON	

† Refer Datasheet for complete specifications \* Refer catalogue for valves and manifolds

**HOW TO ORDER****BASIC MODEL**

CODE	F	H
<b>NOMINAL SIZE</b>	100mm	150mm

**TYPE OF MOUNTING**

- 1 WALL / SURFACE / PROJECTION MOUNTING WITH BOTTOM ENTRY
- 2 DIRECT BOTTOM ENTRY
- 3 DIRECT LOWER BACK ENTRY
- 4 DIRECT CENTRE BACK ENTRY
- 5 FLUSH PANEL BACK ENTRY WITH FRONT FLANGE
- 9 BACK ENTRY WITH MOUNTING BRACKET

**GAUGE CONNECTION**

<b>2BM</b> 1/4" BSP (M)	<b>3NM</b> 3/8" NPT (M)	<b>4TM</b> 1/2" BSPT (M)
<b>3BM</b> 3/8" BSP (M) STANDARD	<b>4NM</b> 1/2" NPT (M) STANDARD	
<b>4BM</b> 1/2" BSP (M) STANDARD	<b>2TM</b> 1/4" BSPT (M)	
<b>2NM</b> 1/4" NPT (M)	<b>3TM</b> 3/8" BSPT (M)	

**Note :** Connections like PT/PF/Flaired /UNF/G/R etc.can be provided on request.  
Non standard connections can be provided through adaptors.

**RANGE**

REFER TABLES

**OPTIONS**

FOR NON STANDARD PRODUCTS/OPTIONAL ITEMS, PLEASE CONTACT FACTORY FOR DELIVERY AND MINIMUM QUANTITY OF ORDER.

- PW** FIVE POINT CALIBRATION CERTIFICATE
- RH** CUSTOM DESIGNED DIAL
- SG** OXYGEN SERVICE (WITHOUT DAMPENING LIQUID)
- SX** SS TAG PLATE
- PY** DAMPENING LIQUID GLYCERINE FILLED
- FG** FILLABLE LIQUID GLYCERINE
- SK** MICROMETER '0' ADJUSTMENT POINTER
- ZC** FREON RANGE (WITH TEMPERATURE SCALE)
- SL** ZERO ADJUSTABLE POINTER
- QB** INTEGRAL DAMPENING SCREW (BRASS)

**Ordering Example:**

**AG - H - 2 - 3BM - 0/10kg/cm<sup>2</sup> - PY**

**Note :** ● Due to continuous improvement, the specification may vary from time to time.

AG

H

2

3BM

0-10  
kg/cm<sup>2</sup>

PY