



# ALL SS PRESSURE GAUGE BOURDON



## SPECIAL FEATURES

- **STAINLESS STEEL CASE & MEASURING SYSTEM**
- **DRY OR LIQUID FILLED**
- **ACCURACY UPTO  $\pm 1.6\%$**
- **STANDARD FOLLOWED IN GENERAL  
EN 837-1 / IS 3624**

## APPLICATIONS

FOOD & BEVERAGE, PHARMACEUTICAL, CRYOGENICS, CHEMICAL & PETROCHEMICAL INDUSTRIES, CONVENTIONAL & NUCLEAR POWER PLANTS. PUMPS, HYDRO-CLEANING MACHINES, PRESSES, ENGINE COMPRESSORS, TURBINES, DIESEL ENGINES & REFRIGERATING PLANTS

## SPECIFICATIONS

### STANDARD VERSION : 63mm

Accuracy	:	$\pm 1.6\%$ of F.S.
Ambient temperature	:	- 25°C to + 65°C
Process temperature	:	Max 270°C
Operating pressure	:	75 % of the Scale Value
Over pressure limit	:	30 % for Pressure Ranges upto 400kg/cm <sup>2</sup> 15 % for Pressure Ranges above 400kg/cm <sup>2</sup>
Case	:	AISI 304 SS
Ring	:	AISI 304 SS, Bayonet Type
Socket	:	AISI 316 SS
Bourdon	:	AISI 316 SS
Movement	:	AISI 304 SS
Joints	:	Tig Argon Arc Welding
Protection	:	IP 55
Dial	:	Aluminium, black graduation on white background
Pointer	:	Aluminium, black Coloured, Fixed
Window	:	Sheet Glass
Gasket	:	Neoprene
Filling Plug	:	Neoprene

### GLYCERINE FILLED VERSION (OPTION PY)

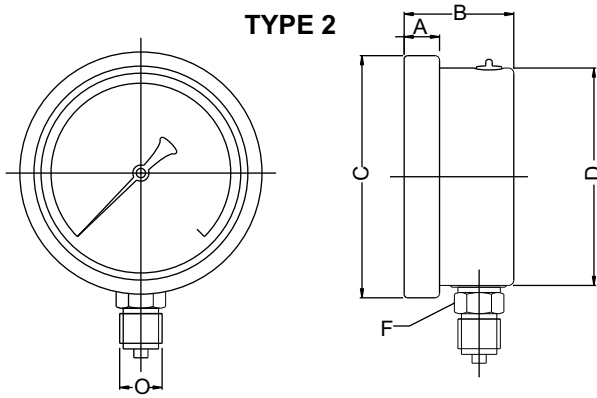
Process Temperature	:	15°C To 65°C
Window	:	Plexi Glass
Dampening Liquids	:	Glycerine 98 %
Other Features	:	Refer Specification of Standard Version

### DRY BUT FILLABLE VERSION

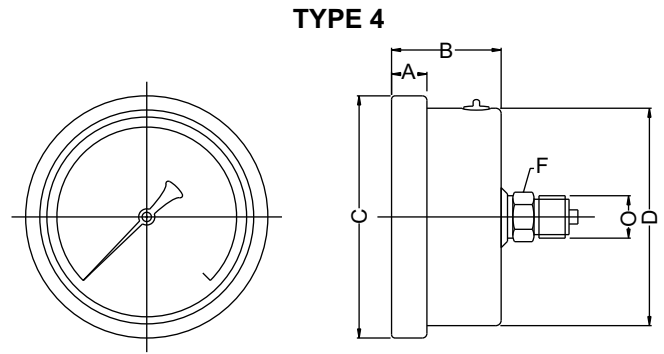
Option Code	:	Fillable Dampening Liquid
FG	:	For Glycerine 98% (PY)
FS	:	For Silicon Oil (QA)



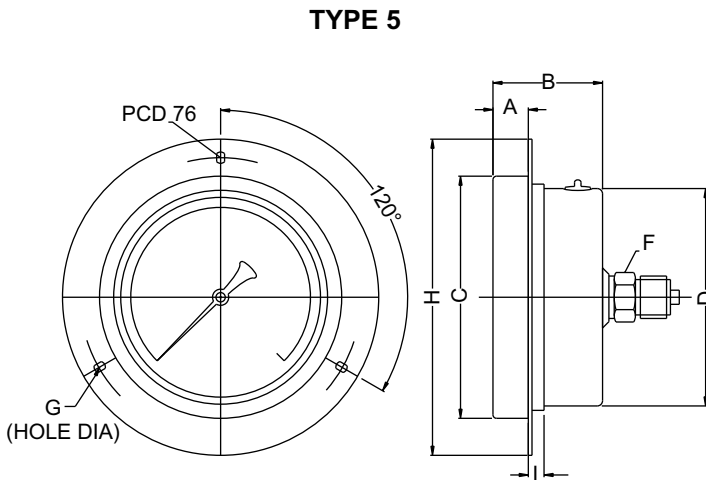
# ALL SS PRESSURE GAUGE BOURDON



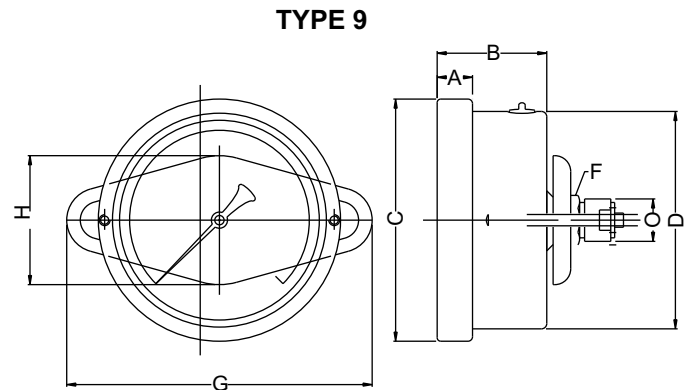
NS	A	D	F	H	I	L	U	Wt
63	10	43	10	68.5	61.5	53	14	0.13Kg



NS	A	D	H	I	N	U	Wt
63	10	43	68.5	61.5	54	14	0.13Kg



NS	D	H	I	K	N	O	P	U	Wt
63	43	68.5	61.5	4	54	86	76.5	14	0.15kg



NS	B	D	H	I	N	Q	U	W	Wt
63	13	43	68.5	61.5	54	68.5	14	67	0.14kg

(\*WEIGHTS MENTIONED ARE FOR STANDARD VERSION.)

Notes : • Drawings are not to scale. • All Dimensions are in mm. • NS = Nominal Size.

## DAMPENING LIQUIDS: CODE

DAMPENING LIQUIDS	OPTION CODE	AMBIENT TEMPERATURE LIMIT	PROCESS TEMPERATURE LIMIT
Glycerine 98%	PY	+ 15 / + 65°C	+ 20 / + 65°C
Fluorolube	PX	- 45 / + 65°C	- 45 / + 70°C
Mineral Oil	PZ	- 60 / + 65°C	- 40 / + 140°C
Silicon Oil	QA	- 40 / + 65°C	- 40 / + 170°C



# ALL SS PRESSURE GAUGE BOURDON



## RANGE TABLE

**Note :** Waaree offers Pressure ranges, Vacuum ranges and Compound ranges in Scales like kPa, Mpa, bar, psi, kg/cm<sup>2</sup> & Dual Scale like kPa with psi, kPa with bar, bar with psi or scales as per the requirement can be provided on request. Following are the example tables for kg/cm<sup>2</sup> & psi scales

## PRESSURE RANGE

SINGLE SCALE (kg/cm <sup>2</sup> or bar)					
RANGE		RANGE		RANGE	
0/1		0/6		0/40	
0/1.6		0/10		0/60	
0/2.5		0/16		0/100	
0/4		0/25		0/160	
				0/250	
				0/400	
				0/600	
				0/1000	
DUAL SCALE ( PSI with kg/cm <sup>2</sup> )					
RANGE (PSI)		RANGE (kg/cm <sup>2</sup> )		RANGE (PSI)	
0/15		1		0/300	
0/30		2		0/400	
0/60		4		0/500	
0/100		7		0/600	
0/150		10		0/1000	
0/200		14		0/1500	
				20	
				28	
				35	
				42	
				70	
				100	
				0/2000	
				0/3000	
				0/4000	
				0/5000	
				0/6000	
				0/10000	
				0/15000	
				140	
				200	
				280	
				350	
				420	
				700	
				1000	

## VACUUM & COMPOUND RANGE

DUAL SCALE					
RANGE		RANGE		RANGE	
inHg with PSI		mmHg with kg/cm <sup>2</sup>		inHg with PSI	
- 30/0		- 760 / 0		- 30/60	
- 30/15		- 760 / 1		- 30/100	
- 30/30		- 760 / 2		- 30/150	
				- 760 / 4	
				- 760 / 7	
				- 760 / 10	
				- 30/200	
				- 30/300	
				- 760 / 14	
				- 760 / 21	
SINGLE SCALE kg/cm <sup>2</sup>					
RANGE		RANGE		RANGE	
- 1/ 0		- 1/ 1.5		- 1/ 5	
- 1/ 0.6		- 1/ 3		- 1/ 9	
				- 1/ 15	
				- 1/ 24	

## FREON RANGE (WITH TEMPERATURE SCALE)

DUAL SCALE ( Inch Hg to PSI )			
RANGE		RANGE	
-30/150		-30/500	
-30/300		0-300	
		0-500	

## AMMONIA RANGE (WITH TEMPERATURE SCALE)

RANGE ( kg/cm <sup>2</sup> )		RANGE ( psi )	
-1 TO 12.5		-30 - 150	
-1 TO 16		-30 - 300	
-1 TO 25			

## ACCESORIES

EC	GAUGE COCK	EG	SNUBBER
ED	GAUGE SAVER	Dx	DIAPHRAGM SEALS
EF	NEEDLE VALVE		



# ALL SS PRESSURE GAUGE BOURDON

## HOW TO ORDER

### BASIC MODEL

**AD**

### NOMINAL

D 63mm

**AD**

**D**

### TYPE OF MOUNTING

- 1 SURFACE / WALL / PROJECTION MOUNTING WITH BOTTOM ENTRY
- 2 DIRECT BOTTOM ENTRY
- 3 DIRECT LOWER BACK ENTRY
- 4 DIRECT CENTRE BACK ENTRY
- 5 FLUSH PANEL BACK ENTRY WITH FRONT FLANGE
- 9 BACK ENTRY WITH MOUNTING BRACKET

**2**

### GAUGE CONNECTION

<b>1BM</b> 1/8" BSP (M)	<b>1TM</b> 1/8" BSPT (M)
<b>2BM</b> 1/4" BSP (M) STANDARD	<b>2TM</b> 1/4" BSPT (M)
<b>1NM</b> 1/8" NPT (M)	<b>2MM</b> M12X1 (M)
<b>2NM</b> 1/4" NPT (M) STANDARD	

**2NM**

ADAPTORS PROVIDED FOR OTHER NON STD, FLARRED & FEMALE CONNECTIONS

### RANGE

REFER TABLES

**0-10  
Kg/cm<sup>2</sup>**

### OPTIONS

<b>RH</b> CUSTOM DESIGNED DIAL	<b>RZ</b> TOUGHENED GLASS
<b>SG</b> OXYGEN SERVICE (WITHOUT DAMPENING LIQUIDS)	<b>RW</b> PLEXI GLASS
<b>SW</b> DIAL TAG MARKING	<b>SX</b> SS TAG PLATE
<b>PS</b> AISI 316 SS CASE & RING	<b>SI</b> KNIFE EDGE POINTER
<b>PW</b> FIVE POINT FACTORY CALIBRATION CERTIFICATE	<b>TB</b> HELIUM LEAK TEST
<b>PZ</b> DAMPENING LIQUID MINERAL LIQUID FILLED	<b>FS</b> FILLABLE LIQUID SILICON OIL*
<b>PX</b> DAMPENING LIQUID FLOUROUBE FILLED	<b>FG</b> FILLABLE LIQUID GLYCERINE
<b>PY</b> DAMPENING LIQUID GLYCERINE FILLED	<b>QB</b> DAMPENING SCREW IN AISI 316 SS
<b>QA</b> DAMPENING LIQUID SILICON OIL FILLED*	<b>ZC</b> FREON RANGE (WITH TEMPERATURE SCALE)
<b>RX</b> SHATTERPROOF GLASS	<b>ZD</b> AMMONIA RANGE (WITH TEMPERATURE SCALE)

**PY**

\* GASKET, BOD & PLUG OF VITON

Note: Due to continuous changes the specification may vary from time to time