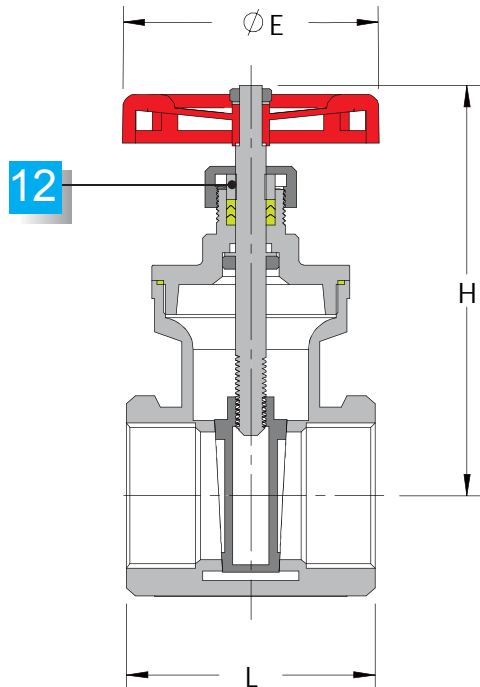


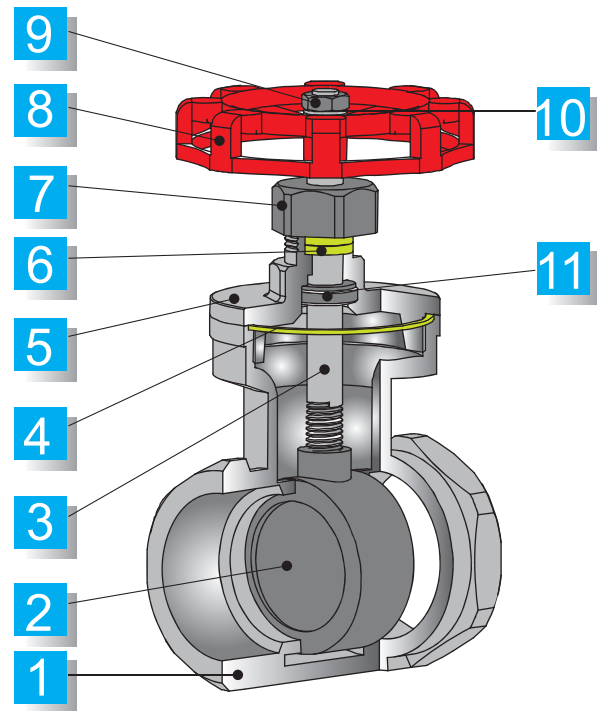


FEATURES:

- Pipe Thread: NPT, BSPT, DIN259, DIN2999, ISO 228
- Class 200 WOG
- Investment Casting Body and Cap
- Non-rising Stem Design
- Metal Sealing



NO.	PART NAME	MATERIAL	
1	Body	CF8M	CF8
2	Disc	CF8M	CF8
3	Stem	SUS316	SUS304
4	Body Gasket	PTFE	
5	Cap	CF8M	CF8
6	Stem Seal	PTFE	
7	Stop Nut	CF8M	CF8
8	Handle	Aluminum	
9	Stem Nut	SUS304	
10	Washer	SUS304	
11	Stop Gasket	SUS304	
12	Gland	SUS304	



Unit:mm

Size	1/2"	3/4"	1"	1-1/4"	1-1/2"	2"	2-1/2"
	DN15	DN20	DN25	DN32	DN40	DN50	DN65
L	55	60	65	75	85	95	115
H	100	105	117	130	145	170	215
øE	70	70	80	80	90	105	105