



Pressure reducer for liquids and gases up to 130 °C

Technical Data

Connection	G 1/2 - 1
	DN 15 - 25
Nominal Pressure	Inlet PN 100
	Outlet PN 1 - 16
Inlet Pressure	up to 100 bar
Outlet Pressure	0.02 - 12 bar in 7 setting ranges
K_{vs} -value	3.2 - 3.6 m ³ /h
Tightness	acc. VDI/VDE-guideline 2174 (leakage rate ≤ 0.05 % of K_{vs} -value)

Description

Medium-controlled pressure reducers are simple control valves offering accurate control while being easy to install and maintain. They control the pressure downstream of the valve without requiring pneumatic or electrical control elements.

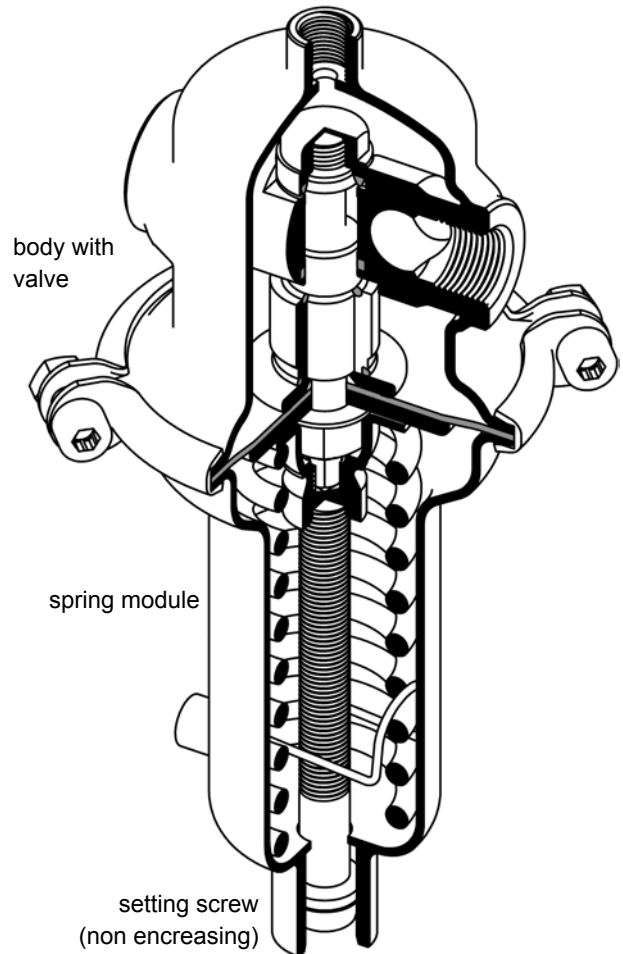
The DM 662 pressure reducing valve is a diaphragm-controlled spring-loaded and balanced proportional control valve for universal application and medium volumes.

This pressure reducer is manufactured from deep-drawn stainless steel featuring excellent corrosion resistance. The valve cone is fitted with a soft seal.

The spring module comprising spring cover, spring, setting spindle, diaphragm and internal components, is connected to the valve body only by means of a clamp ring and two bolts. Changing the diaphragm or the complete spring assembly for a different control pressure range is extremely simple and does not call for special tools. The same applies to servicing and maintenance.

The outlet pressure to be controlled is balanced across the diaphragm by the force of the valve spring (set pressure). As the outlet pressure rises above the pressure set using the setting spindle, the valve cone moves towards the seat and the volume of medium is reduced. As the outlet pressure drops the valve control orifice increases; when the pipeline is depressurised the valve is open. Rotating the setting spindle clockwise increases the outlet pressure.

For outlet pressures ≤ 1.1 the DM 662 pressure reducer requires a pilot line (to be installed on-site).



STANDARD EQUIPMENT

- All stainless steel construction
- Non-rising setting spindle
- Quick-release body clamp ring
- Pilot line connection (only for outlet pressures ≤ 1.1 bar)

OPTIONS

- Pressure gauge connection
- For toxic or hazardous media: sealed spring cover complete with leakage line connection (incl. sealed setting spindle). Must be installed with a leakage line capable of draining leaking medium safely and without pressure
- Various diaphragm and seal materials suitable for your medium
- Special connections: Aseptic, ANSI or DIN flanges, welding spigots; other connections on request
- Special versions on request

Operating instructions, Know How and Safety instructions must be observed.

We reserve the right to alter technical specifications without notice.

K_{vs} -values [m ³ /h]				
nominal diameter	DN	15	20	25
	G	1/2	3/4	1
K_{vs} -value	m ³ /h	3.2	3.5	3.6

Setting Ranges [bar], Nominal Pressure [PN]				
setting range	6 - 12	4 - 8	2 - 5	0.8 - 2.5
nominal pressure	100/16	100/16	100/10	100/6

Setting Ranges [bar], Nominal Pressure [PN]			
setting range	0.3 - 1.1	0.1 - 0.5	0.02 - 0.12
nominal pressure	100/2.5	100/1	100/1

Pressure Control Valves

DM 662

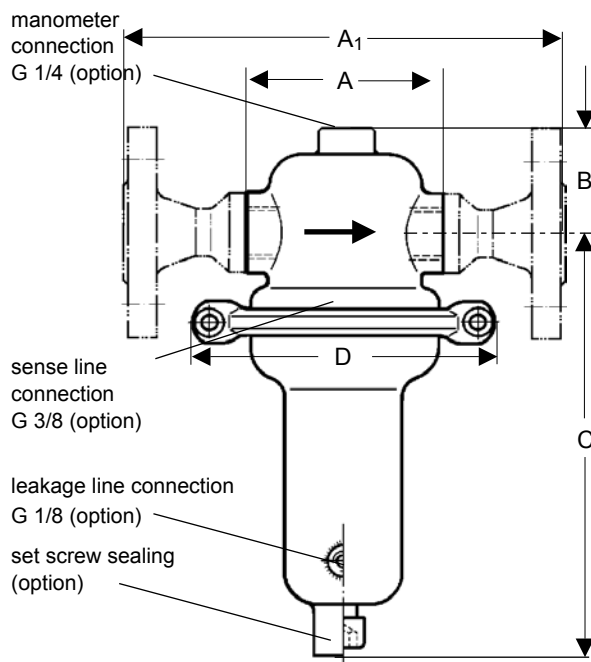
Pressure reducer for liquids and gases up to 130 °C



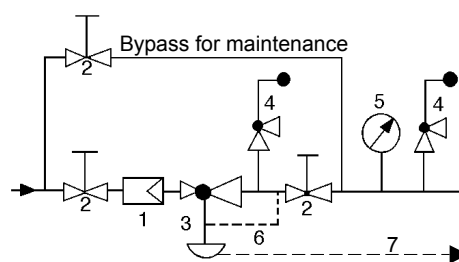
Materials	
Temperature	130 °C
Body, Spring Cap, Spring, Diaphragm Housing	CrNiMo-steel
Internals, Screws	
Valve Seal	EPDM optional FPM
Diaphragm	EPDM optional FPM
O-ring	EPDM optional FPM

Dimensions [mm]				
pressure range [bar]	size	nominal diameter		
		G 1/2 DN 15	G 3/4 DN 20	G 1 DN 25
all ranges	A	90	90	136
	A ₁	200	200	200
	B	40	40	40
0.02 - 0.12	C	270	270	270
	D	360	360	360
0.1 - 0.5	C	270	270	270
	D	264	264	264
0.3 - 1.1	C	270	270	270
	D	200	200	200
0.8 - 2.5	C	205	205	205
	D	138	138	138
2 - 5	C	205	205	205
	D	138	138	138
4 - 8	C	205	205	205
	D	138	138	138
6 - 12	C	205	205	205
	D	138	138	138

Weights [kg]						
pressure ranges [bar]	nominal diameter G			nominal diameter DN		
	1/2	3/4	1	15	20	285
0.02 - 0.12	13	13	13	14	14	14
0.1 - 0.5	6.5	6.5	6.5	7.5	7.5	7.5
0.3 - 1.1	5.5	5.5	5.5	6.5	6.5	6.5
0.8 - 12	2.5	2.5	2.5	3.5	3.5	3.5



Recommended Installation



- 1 Strainer
- 2 Shutoff Valves
- 3 Pressure Reducer
- 4 Safety Valve
- 5 Pressure Gauge
- 6 Sense Line G 3/8 (option)
- 7 Leakage Line G 1/8 (option)

Sense line connection 10 - 20 x DN behind the valve

We reserves the right, to alter or improve the designs or specifications of the products described herein without notice.
Special designs on request.

