



VL series

Bleed Valves

Features

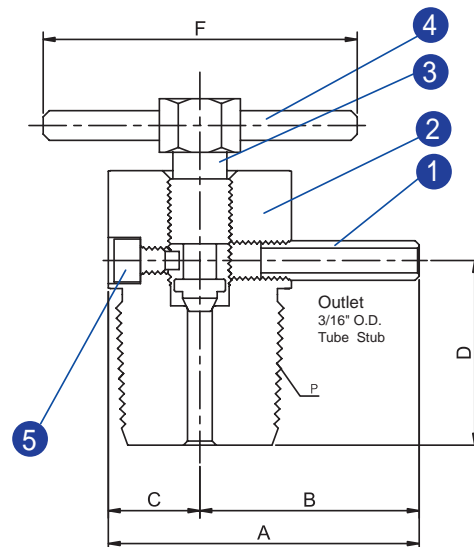
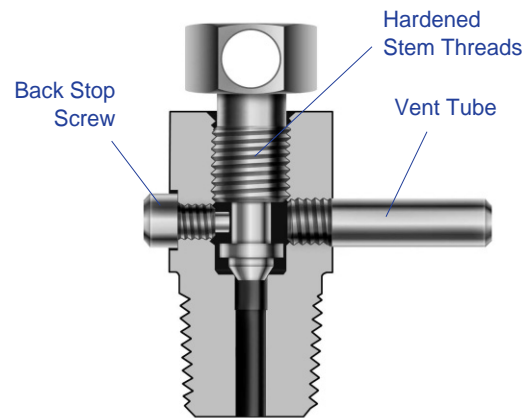
- Pressure rating up to 10000psig (689bar) @38°C (100°F)
- Temperature rating from -53°C(-65°F) to 454°C (850°F) with 316SS
- Hardened stem threads and stem for long cycle life
- Back stop screw prevents accidental stem back-out
- Vent tube directs excess liquid or gas from system lines

Application

Using with Uni-Lok Manifolds Valves or Gauge/Root Valves not only to vent before disassemble of instrument device but also to calibrate control device easily

Materials of Construction

No.	Description	Materials
1	Vent Tube	316SS
2	Body	316SS
3	Stem	316SS
4	Handle(Optional)	304SS
5	Back Stop Screw	316SS



Ordering Information & Dimensions

Part Number	End Connection	Dimensions (mm)					
		A	B	C	D	F	
VL	M-02N	1/8" Male NPT	34.0	23.9	10.4	19.1	51.8
	M-04N	1/4" Male NPT					
	M-06N	3/8" Male NPT	37.3	26.2	11.2	22.4	
	M-08N	1/2" Male NPT					

Bar Handle : add **-B**, VLMN-08N-**B**-SS

Barbed Vent Tube : add **-V**, VLMN-04N-**V**-SS

Important Notification

Proper installation, materials compatibility, operation and maintenance of these valves are the responsibility of the user. The total system design must be taken into consideration to ensure optimal performance and safety.

 **Uni-Lok corporation**



CONNECTS THE WORLD SINCE 1984 www.unilok.com

본사 및 제1공장

인천광역시 남동구 고잔동 725-13번지
 남동공단 152블럭 12롯데 ☎ 405-822
 전화 : 032-822-6600
 팩스 : 032-822-6604

제2공장

인천광역시 남동구 고잔동 684-7번지
 남동공단 114블럭 8롯데 ☎ 405-818
 전화 : 032-433-6601
 팩스 : 032-441-7600

Headquarters & 1st Factory

152 Block-12 Lot, Namdong Indus-Park, 725-13,
 Gojan-Dong, Namdong-Gu, Incheon, Korea
 Tel : +82-32-821-6673
 Fax : +82-32-822-6604

2nd Factory

114 Block-8 Lot, Namdong Indus-Park, 684-7,
 Gojan-Dong, Namdong-Gu, Incheon, Korea
 Tel : +82-32-433-6601
 Fax : +82-32-441-7600