

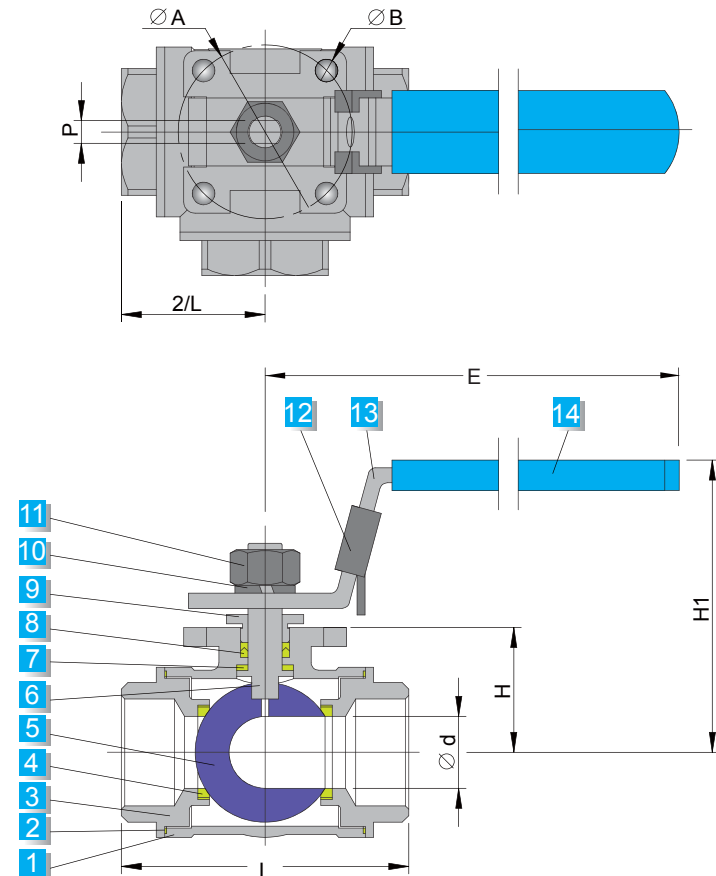
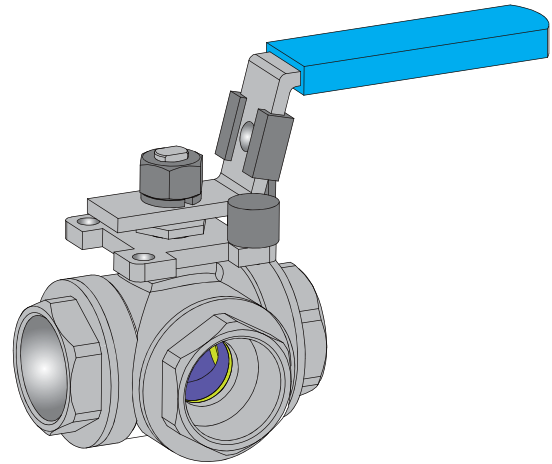


FEATURES:

- Blow-out Proof Stem
- Anti-Static Device for Ball-Stem-Body
- Pressure Balance Hole in Ball Slot
- ISO 5211 Mounting Pad for Easy Automation
- Locking Device Spring Handle, **New Design**
- L-Port, T-Port Available
- 1/4"-1-1/2" Full Bore, 1/2"-2" Reduce Bore

STANDARD:

- Design: ASME B16.34, API 608
- Wall Thickness: EN12516-3
- Pipe Thread: ASME B1.20.1, BS21
DIN 2999/259 ISO228/1
JIS B0203 ISO 7/1
- Butt-Weld: ASME B16.25(SCH 10,20,40)
- Socket Weld: ASME B16.11
- Flange End: ASME B16.5 CLASS 150/300
DIN 2653 PN10-PN40
JIS B2238 10K/20K
- Inspection & Testing: API 598, EN 12266



NO.	PART NAME	MATERIAL		
1	Body	CF8M	CF8	WCB
2	Body Gasket	PTFE		
3	Cap	CF8M	CF8	WCB
4	Ball Seat	PTFE	RTFE	PEEK
5	Ball	CF8M	CF8	
6	Stem	SUS 316	SUS 304	
7	Thrust Washer	PTFE		
8	Stem Packing	PTFE	RTFE	
9	Stop Nut	SUS 304		
10	Spring Washer	SUS 304		
11	Stem Nut	A194-B8		
12	Locking Device	SUS 301		
13	Handle	SUS 304		
14	Handle Cover	Plastic		

Unit:mm

Size	L	$\varnothing d$	H	H ₁	E	P	$\varnothing A$	$\varnothing B$	Thread
1/4"	75	10.5	32	60	135	7	36	6	NPT BSP BSPT PT DIN etc...
3/8"	75	10.5	32	60	135	7	36	6	
1/2"	75	12.5	32	60	135	7	42	7	
3/4"	85	15	38	68	140	9	42	7	
1"	103	20	45	78	159	9	50	9	
1-1/4"	120	25	48	85	159	11	50	9	
1-1/2"	128	32	55	95	205	11	70	9	
2"	155	40	69	105	205	12	70	9	