



3600WOG/ PN 248
SIZE: 1/4"-3"



SPECIFICATION

- * Body & end caps quality investment casting
- * Valve construction & wall thickness totally with ASME B16.34 standard
- * Full bore design
- * with ISO 5211 direct mounting pad
- * Adjustable stem packing
- * Available in stainless steel or carbon steel
- * Blow-out proof stem design
- * 100% air tested under water at 80-100 psi
- * Temperature range: see Pressure/Temperature table
- * with locking function
- * End type: threaded/ socket weld/ butt weld

OPTION

- * Fire safe design (with SS housing)
- * Spring handle (dead man handle)
- * Oval handle
- * V-ball for control valve (ball valve type)
- * Automation application
- * Cryogenic type
- * PTFE/ PFA coating (40-70 um)
- * Special Alloy
Hastalloy C 276/ Super duplex/ Alloy 20/ Monel 400

ZIPSON'S 306D, 3-piece high performance ball valve, 3600 psi (designed according to Class 1500, stainless steel at 3600 psi and carbon steel at 3705 psi), with ISO direct mounting pad was designed for the high pressure industrial pipe line in full port product.

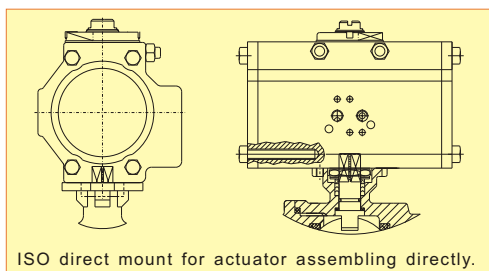
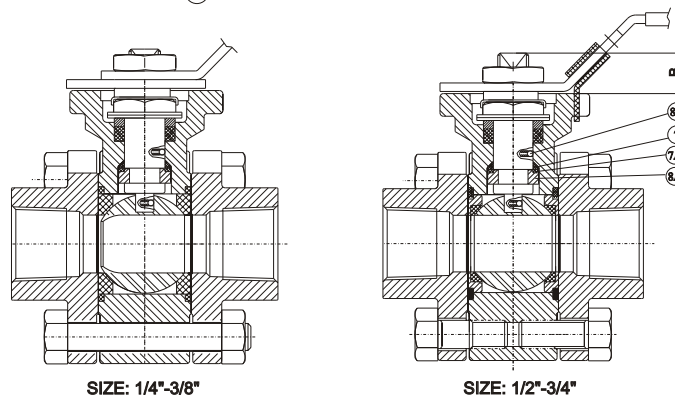
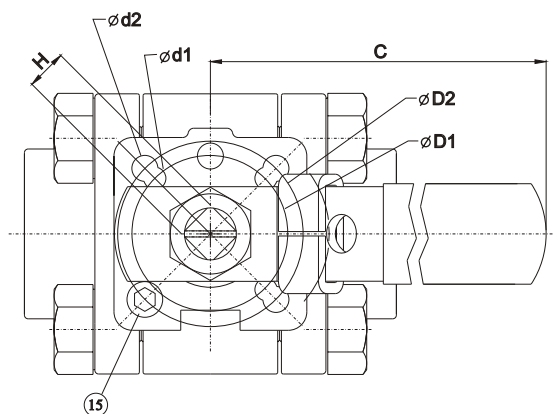
To compare the economic valve in the market, Zipson make valve structure & wall thickness totally follow ASME B16.34 standard. The exact structure make safe in the high performance application.

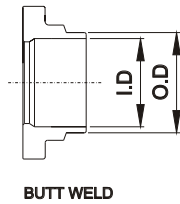
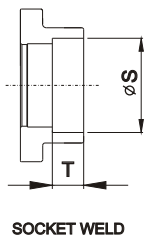
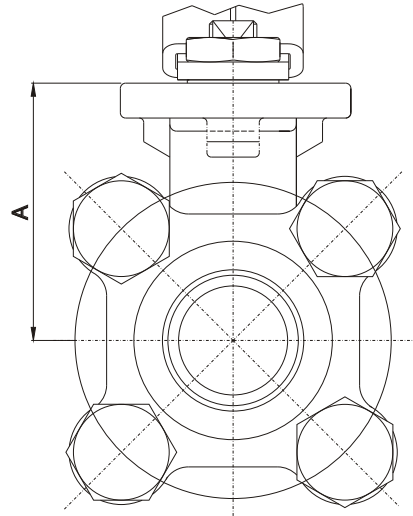
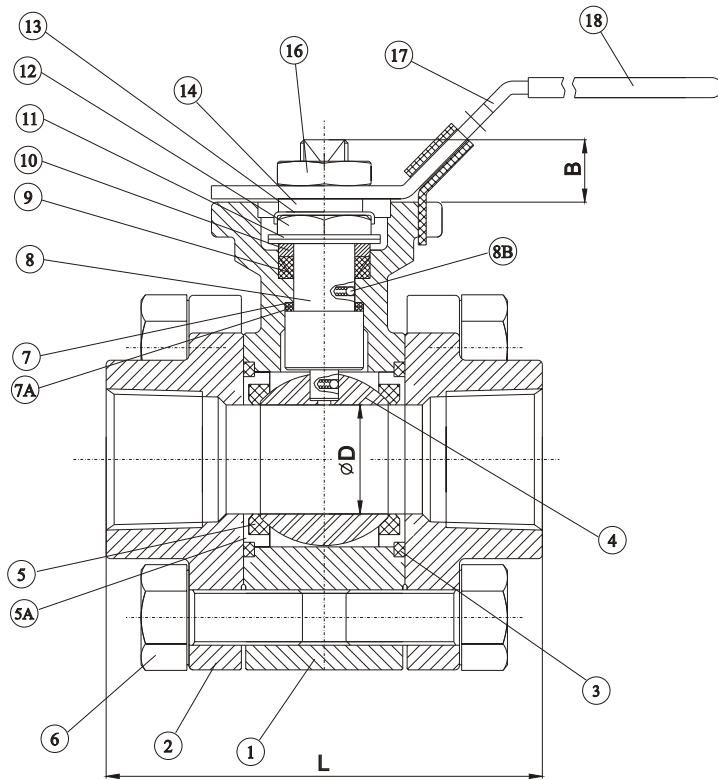
The standard seat material was settled on PEEK (450G, PEEK/ 450CA30, PEEK+30% Carbon), DELRIN is the other option for low temperature environment.

306D high performance are full bore from 1/4" to 2" (DN08-DN50). V-ball for ball valve type control valve are available for 15°, 60°, or 90° for different flow rate requirement.

306D high performance 3-piece ball valve can be with fire safe design with SS seat housing designed follow API607 Edition 4.

The standard bare stem type is well designed for mounting actuator directly with very low torque value. ZIPSON offer pneumatic/ electric actuator and limit switch box/ solenoid valve/ modulating controller....assembling without further charge.





MATERIALS LIST (1/4" TO 1")

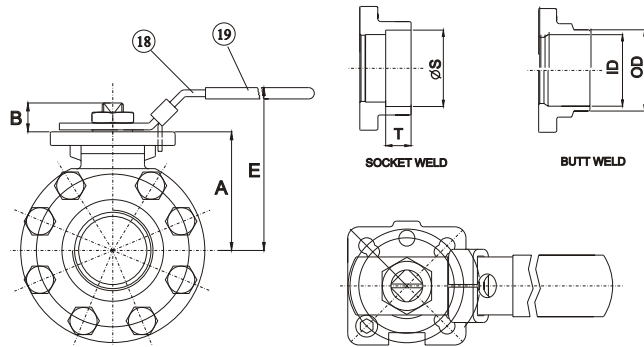
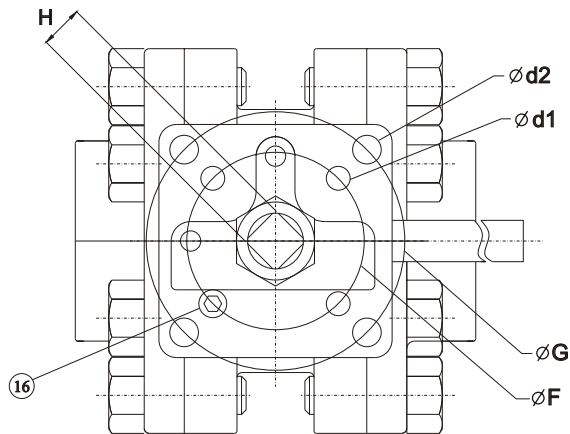
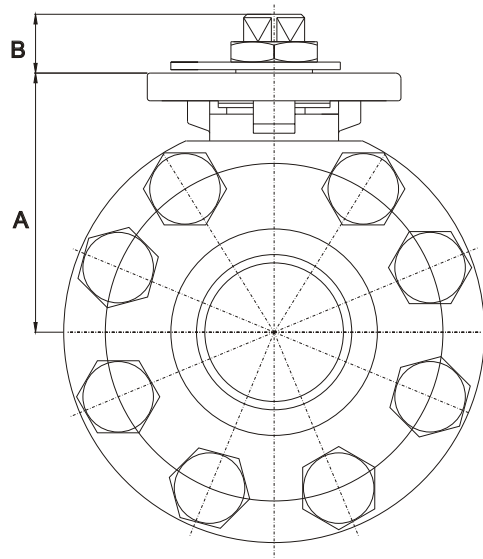
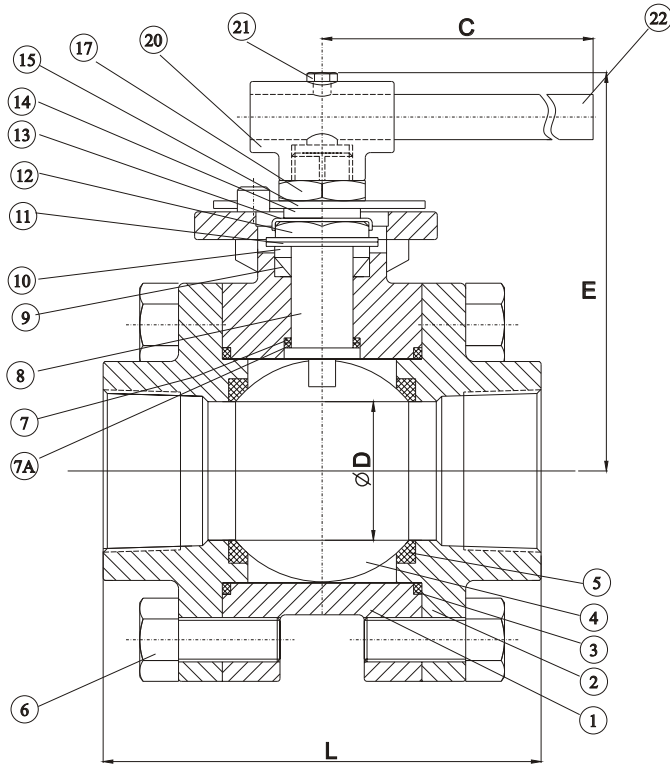
ITEM	PART NAME	MATERIALS
1	BODY	CF8M
2	END CAP	CF8M
3	GASKET	TFM
4	BALL	SS 316
5	SEAT	PEEK/ DELRIN
5A	SEAT HOUSING	SS 316
6	BOLT	SS 304
7	THRUST WASHER	TFM
7A	THRUST WASHER	PEEK
8	STEM	SS 316
8A	HALF SPILT RING	SS 316
8B	ANTI-STATIC	SS 316
9	STEM PACKING	TFM
10	GLAND WAHSER	SS 304
11	DISK WAHSER	SS 301
12	STEM NUT	SS 304
13	NUT STOP	SS 304
14	SPACE WASHER	SS 304
15	STOP PIN	SS 304
16	HANDLE NUT	SS 304
17	HANDLE	SS 304
18	SLEEVE	PLASTIC

MAX. OPERATING PRESSURE
Body Rating (Non-Shock)

VALVE SIZE	MAX. PRESSURE RATING
1/4"~1/2"	UP TO 6000 psi
3/4" & 1"	UP TO 5500 psi
1-1/2"	UP TO 5500 psi
2"	UP TO 5000 psi

DIMENSIONS (mm) (1/4" TO 1")

SIZE	A	B	C	D	D1	D2	d1	d2	H	L	SW		BW(40#)		BW(#80)	
											S	T	OD	ID	OD	ID
1/4"	46	9.5	130	11	36	42	6.0	7.0	9	66.5	14.1	11.2	14.0	9.2	14.0	7.5
3/8"	46	9.5	130	11	36	42	6.0	7.0	9	66.5	17.5	11.2	17.5	12.5	17.5	10.7
1/2"	48	9.5	130	15	36	42	6.0	7.0	9	70	21.8	12.7	21.3	15.9	21.3	13.8
3/4"	53	12	155	20	-	50	-	7.2	11	92	27.1	14.3	26.7	20.6	26.7	18.9
1"	59	12	155	25	-	50	-	7.2	11	105	33.8	15.9	33.3	26.6	33.3	24.3



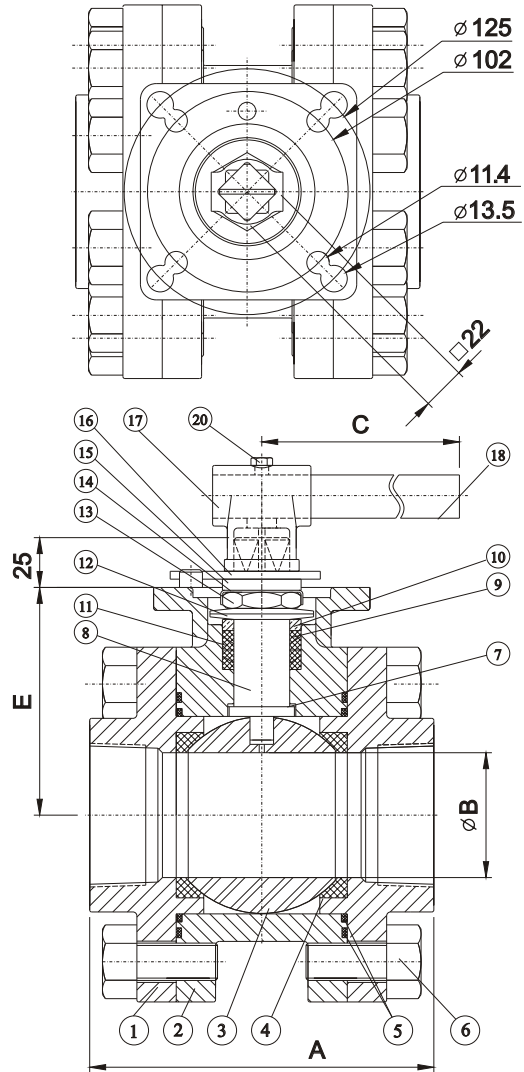
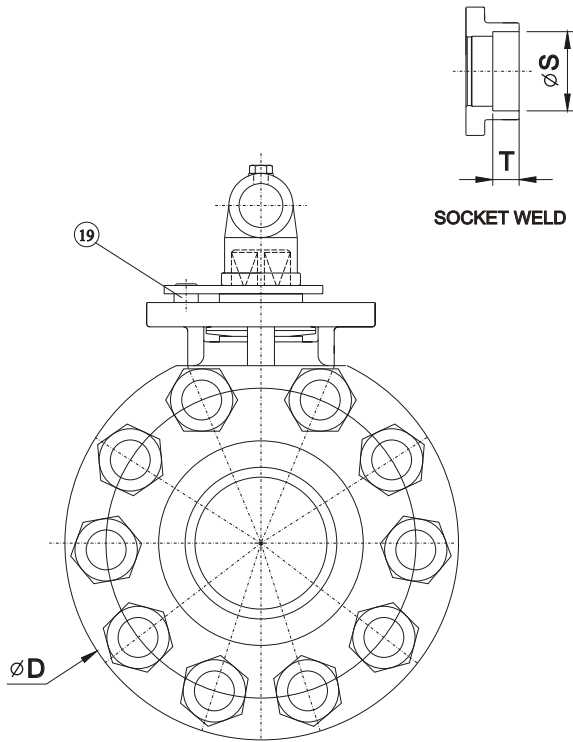
SIZE: 1-1/4" & 1-1/2"

MATERIALS LIST (1-1/2" TO 2")

ITEM	PART NAME	MATERIALS
1	BODY	CF8M
2	END CAP	CF8M
3	GASKET	TFM
4	BALL	SS 316
5	SEAT	PEEK/ DELRIN
6	BOLT	SS 304
7	THRUST WASHER	TFM
7A	THRUST WASHER	PEEK
8	STEM	SS 316/ 17-4PH
9	STEM PACKING	TFM
10	GLAND WAHSER	SS 304
11	DISK WAHSER	SS 301
12	GLAND NUT	SS 304
13	NUT STOP	SS 304
14	SPACE WASHER	SS 304
15	STOP PLATE	SS 304
16	STOP PIN	SS 304
17	STEM NUT	SS 304
18	HANDLE	SS 304
19	SLEEVE	PLASTIC
20	LEVER HEAD	CF8
21	SET BOLT	SS 304
22	LEVER	STEEL PIPE

DIMENSIONS (mm) (1-1/4" TO 2")

SIZE	A	B	C	D	E	F	G	d1	d2	H	L	SW		BW(40#)		BW(#80)	
												S	T	OD	ID	OD	ID
1-1/4"	74	16	205	32	110	50	70	7.2	9.2	14	114	42.5	17.5	42.2	35.1	42.5	32.5
1-1/2"	80	16	205	38	116	50	70	7.2	9.2	14	128	48.6	18.3	48.5	40.5	48.5	37.8
2"	96	20	350	50	144	70	102	9.2	11.4	17	158	61.1	21.3	60.5	52.4	60.5	48.9



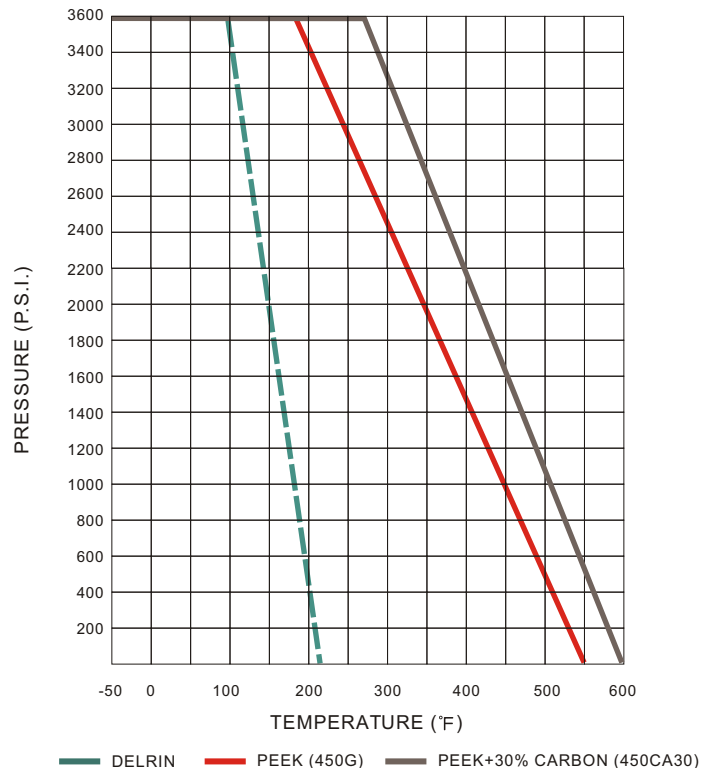
DIMENSIONS (mm) (2-1/2" TO 3")

SIZE	A	B	C	D	E	F	SW	
							S	T
2-1/2"	-	63.5	400	-	-	-	73.9	22.2
3"	196	78	500	200	126	165	89.9	25.4

MATERIALS LIST (2-1/2" TO 3")

ITEM	PART NAME	MATERIALS
1	END CAP	CF8M
2	BODY	CF8M
3	BALL	SS 316
4	SEAT	PEEK/ DELRIN
5	GASKET	TFM
6	BOLT	SS 304
7	THRUST WASHER	PEEK
8	STEM	SS 316/ 17-4PH
9	STEM PACKING	TFM
10	GLAND WAHSER	SS 304
11	DISK WAHSER	SS 301
12	GLAND NUT	SS 304
13	NUT STOP	SS 304
14	SPACE WASHER	SS 304
15	STOP PLATE	SS 304
16	STEM NUT	SS 304
17	LEVER HEAD	CF8
18	LEVER	STEEL PIPE
19	STOP PIN	SS 304
20	SET BOLT	SS 304

PRESSURE/ TEMPERATURE





VALVE HANDLE WITH LIMIT SWITCH BOX

ZIPSON ball valve with ISO 5211 mounting pad can be with compact design for valve handle & limit switch box.

Available Type: 201D/ 302F/ 305D/
306D/ 305F/ 306F/ 207S/ 207F/ 107S